



PRODUCT SELECTION DATA

SCROLL CHILLERS AND HEAT PUMPS WITH AIR COOLED CONDENSER AND GREENSPEED® INTELLIGENCE



Unit with low noise level option

- Low environmental impact
- High full and part load efficiency
- Compact and simple to install
- Low refrigerant charge
- Superior reliability

30RB/30RBP 170R-950R

Nominal cooling capacity 170-940 kW

30RQ/30RQP 165R-1040R

Heating capacity 170-940 kW
Cooling capacity 160-1040 kW

Aquasnap® heat pumps and liquid chillers are the best solution for commercial and industrial applications where installers, engineering and design departments and building owners require reduced installation costs, optimal performances and maximum quality.

The latest generation AquaSnap® is available in two new versions:

- The AquaSnap® (30RB-30RQ) version is a compact all-in-one package optimised for full-load applications where reduced investment cost (low CapEx) is required.
- The premium AquaSnap® version with Greenspeed® intelligence (30RBP-30RQP) is optimised for part load applications where a high SEER, SEPR, SCOP or IPLV value is required. This version is equipped with a variable-speed pump and fans, providing premium part load efficiency to reduce maintenance costs over the lifespan of the chiller. In addition, the sound levels achieved under the part load conditions are particularly low. Besides operating efficiently and quietly, the AquaSnap® range with Greenspeed® intelligence operates from -20 °C up to +48 °C as standard.



CARRIER participates in the ECP programme for LCP/HP
To check the validity of the certificate, visit:
www.eurovent-certification.com

* The availability of sizes and options depends on the country. Please contact your local commercial dealer for more information.

R-32: THE BEST SOLUTION FOR SCROLL LIQUID CHILLERS AND HEAT PUMPS



Carrier was the first to introduce the R-1234ze HFO with ultra-low GWP in screw chillers, as far back as early 2016. Today, having examined its main properties, Carrier has chosen R-32 refrigerant to replace high-GWP R-410A refrigerant in its Scroll liquid chillers and heat pumps, for its lower environmental impact, high energy efficiency, good availability and ease of use.

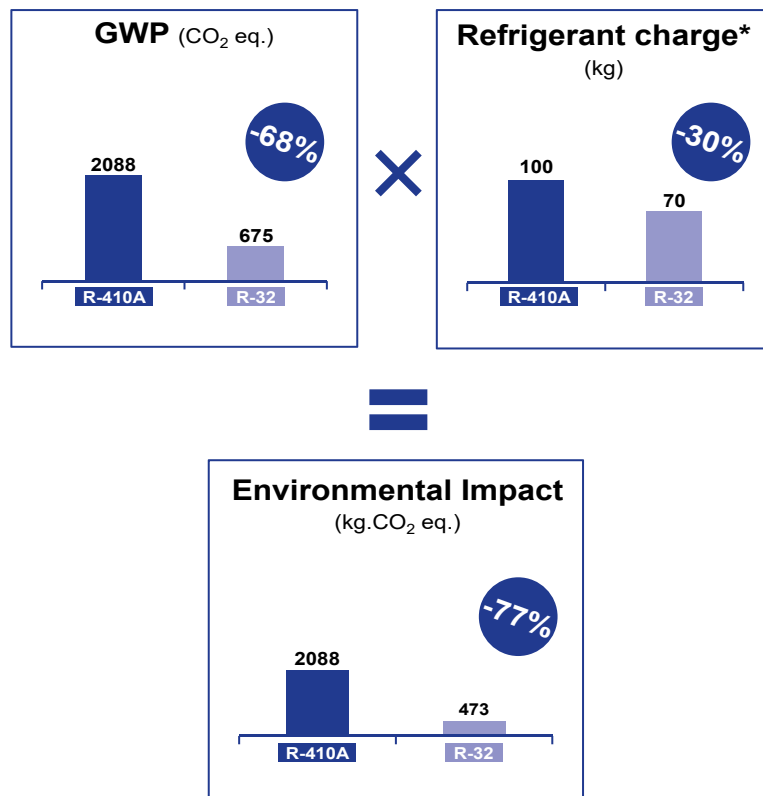
R-32 is currently the ideal refrigeration solution for units equipped with Scroll compressors. By using R-32 refrigerants, Carrier has reduced the carbon footprint of its AquaSnap® range of liquid chillers and heat pumps by 77%. This is the result of a much lower GWP and a significant reduction in the system's cooling load compared to the previous generation that used R-410A.

R-32 is also the right choice economically, reducing the locally imposed tax burden on HFCs based on the CO₂ impact.



Lower environmental impact (-77% compared to R410A)

- R-32 has zero ozone depletion potential (ODP)
- The Global Warming Potential (GWP) of R-32 is 675, i.e. approximately one third of that of R-410A (PRP 2088)
- The AquaSnap® R-32 cooling load is reduced by 30% compared to the previous version using R-410A*
- The carbon footprint of AquaSnap® R-32 is therefore 473 (675 x 0.7), i.e. 77% lower than the version using R-410A (2088 x 1)



* Reduced refrigerant charge in Carrier heat pumps thanks to the use of R-32 and a new coil design.

R-32: THE BEST SOLUTION FOR SCROLL LIQUID CHILLERS AND HEAT PUMPS

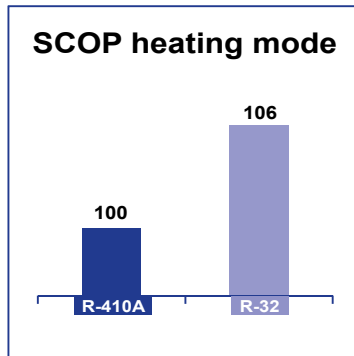
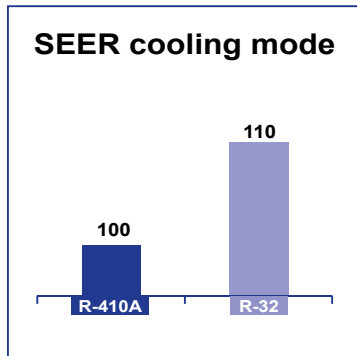


SEER up to **+10%**
SCOP up to **+6%**

High energy efficiency

The seasonal efficiency of AquaSnap® R-32 is higher than that of the previous R-410A version by:

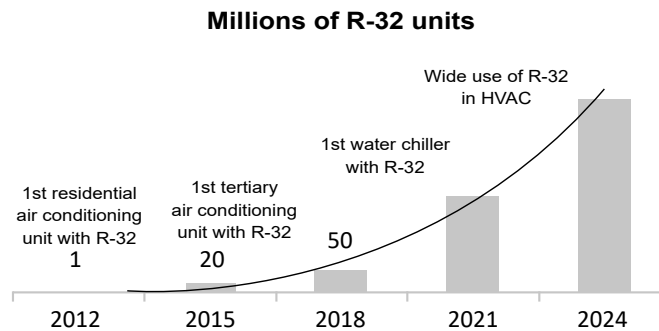
- Approximately +10% in cooling mode
- Approximately +6% in heating mode



SIMPLICITY

Widely available and easy to use

More than 50 million R-32 air conditioning units are in circulation on the global market. While R-32 has been used for some time in residential and commercial air conditioning units, most manufacturers now use R-32 in VRF systems, liquid chillers and heat pumps, which means R-32 is widely available around the world.



R-32 has been widely available for over 15 years, as it comprises 50% of the composition of R-410A.

R-32 is easy to use: It is a pure refrigerant, therefore it is not necessary to drain the entire circuit in the event of a leak.



SAFETY

R-32 is an A2L classified refrigerant thanks to its low flammability.

- **No specific safety requirements** for transporting chillers by road.
- **Easy outdoor installation** in line with the requirements of standard EN 378.
- The service tools must be **certified for A2L** refrigerants in accordance with standard ISO 817 or EN378.
- Service technicians **must be qualified for brazing components** on PED 2 fluid units.

AQUASNAP® - CUSTOMER BENEFITS

■ Outstanding performance

Equipped with variable-speed fans (VSD as standard and EC optional) and optional variable-speed pumps, Carrier's AquaSnap® 30RBP/RQP range with Greenspeed® intelligence automatically adjusts the cooling capacity and water flow to perfectly adapt to the building's requirements or load variations. The result is optimum operation at both full load and part load (SEER up to 5.4, SCOP of 3.9). The 30RBP/RQP offers energy efficiency up to 10% higher than the previous range with the same or a smaller footprint.

The range is already fully compliant with the 2021 Ecodesign regulations.



SEER up to **5.4**
SCOP up to **3.9**

■ Intelligence and connectivity

The advanced SmartVu™ intelligent control system displays operating parameters in real time, making it intuitive and particularly user-friendly. The AquaSnap® 30RBP/RQP range is also characterised by a brand new smart energy monitoring function which provides users with smart data such as electrical energy consumption in real time, supplied cooling and heating energy and instantaneous and average seasonal energy efficiency values. For even greater energy savings, the AquaSnap® 30RBP/RQP can be monitored remotely by Carrier experts to further optimise the energy consumption level.



SMART ENERGY
MONITORING

■ Extensive field of application

The AquaSnap® range is suitable for a very wide range of applications from tertiary to industrial processes. The range can operate at outdoor temperatures from -20 °C to +48 °C and with negative water temperatures (-8 °C). From high-end office buildings and hotels to healthcare facilities, data centers and industrial projects, AquaSnap® 30RBP/RQP units meet the most demanding expectations in terms of energy efficiency and savings, whatever the climate or application.



BETWEEN
-20 °C
and **48 °C**

■ Easy installation & maintenance

Thanks to the variable-speed pumps up to 950 kW, automatic adjustment of the nominal water flow rate via electronic control and automatic measurement of the unit's energy performance under real conditions, the pumping energy consumption is reduced by almost two thirds: these new features guarantee peace of mind for installers and maintenance companies and lower energy bills for users.



Pumping energy
reduced by
up to **66%**

AQUASNAP® - CUSTOMER BENEFITS

AquaSnap® liquid chillers and heat pumps are designed to meet current and future Ecodesign and F-Gas European regulation requirements in terms of energy efficiency and reduced CO₂ emissions. They use the best technologies available today:

- Reduced refrigerant charge of non-ozone depleting R-32A refrigerant with low GWP
- Scroll compressors
- Greenspeed® variable-speed fans (30RBP-30RQP models)
- NOVATION™ micro-channel heat exchangers with a new aluminium alloy (30RB/RBP)
- Brazed-plate heat exchangers with reduced pressure drops
- Self-regulating microprocessor control with Greenspeed® intelligence
- Colour touch screen with web connectivity options

Both AquaSnap® versions can be equipped with a built-in hydraulic module, limiting the installation to conventional operations such as connection of the power supply and the supply and return piping (plug & play), according to the dimensions of the standard unit.

Recommended by Carrier, the AquaSnap® can be equipped with one or two Greenspeed® variable-speed pumps to significantly reduce energy costs linked to pumping (reduction of more than two-thirds), ensure optimum water flow rate control, and improve overall system reliability.



Very economical operation

- High unit full- and part-load energy efficiency and efficient design of the water side:
 - SEER_{12/7°C} up to 5.4 (30RBP version) in accordance with the new Ecodesign 2016/2281 regulations and SCOP 35 °C up to 3.9 (30RQP version).
 - Multiple scroll compressors equipped with a high-efficiency motor which can exactly match the cooling capacity to the load required
 - Electronic expansion valve enabling operation at a lower condensing pressure and improved use of the evaporator heat transfer area (superheat control)
 - Condenser with high-efficiency NOVATION™ (30RB/RBP) aluminium micro-channel heat exchangers and Greenspeed® variable-speed fans (30RBP-30RQP version)
 - Low pressure drop brazed plate heat exchangers (< 45 kPa under Eurovent conditions).

- Specific control functions to reduce unit cooling energy use during occupied and unoccupied periods:
 - Internal timer: Switches the chiller on/off and controls operation at a second setpoint
 - Setpoint automatically offset based on the outdoor air temperature or room air temperature (via an option)
 - Floating high pressure (HP) management
 - Variable-speed fan control
 - Cooling demand limitation.

Refer to the control chapter for more information.

- Greenspeed® variable-speed pump to reduce pumping energy consumption by up to two-thirds (option recommended by Carrier):
 - Eliminate energy losses through the water flow rate control valve by electronically setting the nominal water flow rate
 - Save energy during stand-by periods or part-load operation by automatically reducing the water pump speed. The energy consumption of the pump motor varies according to the cube of the speed, so that a reduction in speed of just 40% can reduce energy consumption by 80%
 - Improved unit part-load performance (increased SEER/SCOP value with variable water flow according to standard EN14825).

Refer to the hydraulic option chapter for more information.



- Extra energy savings through multiple options:
 - Carrier drycooler free cooling mode management
 - Partial or total heat recovery.
- Reduced maintenance costs:
 - Fast diagnosis of possible incidents and their history via the control
 - Programmable maintenance alert
 - Programmable F-Gas leak monitoring alert

AQUASNAP® - CUSTOMER BENEFITS

Low noise level

- Condenser with fixed-speed fans (30RB-30RQ):
 - Optional low-speed fans (700 rpm) and compressor enclosure to reduce full-load noise level by 6 to 7 dB(A)
 - Condenser coils in V-shape with an open angle, allowing quieter air flow across the coil
 - Low noise 6th generation Flying Bird™ fans, made of a composite material (Carrier patent)
 - Rigid fan installation for reduced noise (Carrier patent).
- Condenser with Greenspeed® variable-speed fans (30RBP-30RQP) recommended by Carrier for even quieter operation):
 - Optional factory setting of the fan at low speed, with compressor enclosure to reduce full-load noise level by 6 to 7 dB(A)
 - Exceptional acoustic signature during part-load operation through smooth fan speed variation.
- Specific control functions or features to reduce noise level during the night or unoccupied periods:
 - Night-time sound control with cooling capacity and fan speed limitation
 - Low-noise scroll compressors with low vibration level
 - The compressor assembly is installed on an independent chassis and supported by flexible anti-vibration mountings
 - Dynamic suction and discharge piping support, minimising vibration transmission (Carrier patent)
 - Acoustic compressor enclosure, reducing radiated noise emissions (optional).



Quick and easy installation

- Compact design:
 - AquaSnap® units are designed with compact dimensions for easy installation.
 - With a length of approximately 4.8 m for 550 kW and a width of 2.25 m, the units require minimal floor space.
- Built-in hydraulic module (option):
 - Low or high pressure water pump (as required)
 - Single or dual pump (as required) with operation time balancing and automatic changeover to the back-up pump if a fault develops
 - Built-in variable-speed pumps with automatic nominal water flow adjustment via electronic control on the user display.
 - Water filter protects the water pump against circulating debris
 - Pressure sensors for direct numerical display of the water flow rate and water pressures

- Thermal insulation and frost protection down to -20 °C, using a heater (optional)
- High-capacity membrane expansion tank (option).
- Built-in hydraulic module with Greenspeed® variable-speed pump (option recommended by Carrier):
 - Quick and easy electronic setting of the nominal water flow rate when the unit is commissioned, thus eliminating the need to adjust the water flow rate control valve
 - Automatic control of the pump speed based on constant speed, constant pressure difference or constant temperature difference.
- Simplified electrical connections
 - A single power connection point without neutral
 - Main disconnect switch with high trip capacity
 - 24 V control circuit using a built-in transformer.
- Simplified hydraulic connections:
 - Victaulic type couplings on the exchanger;
 - Clearly identified and practical reference marks for water outlet and inlet connections;
- Fast unit commissioning
 - Systematic factory test before shipment
 - Quick-test function for step-by-step verification of the sensors, electrical components and motors.

Reduced installation costs

- Optional Greenspeed® variable-speed pump with hydraulic module (option recommended by Carrier)
 - Cut costs relating to the water flow control valve
 - The design of the water system with variable primary flow (VPF) can provide significant installation cost savings compared with traditional constant primary systems with variable secondary circuits; elimination of the secondary distribution pump, etc.
 - Water system design with fan coil units fitted with 2-way valves instead of 3-way valves.
- No buffer tank required thanks to Carrier's advanced control algorithm
 - Minimum water loop volume reduced to 2.5 l/kW.

Environmentally responsible

- AquaSnap® liquid chillers with Greenspeed® intelligence are a boost for green cities and contribute to a sustainable future. Combining a refrigerant charge up to 30% lower, with R-32 refrigerant with a GWP 70% lower than that of the previous version using R410A, and exceptional energy efficiency, this chiller significantly reduces energy consumption while reducing carbon dioxide emissions throughout its life cycle.
- The AquaSnap® liquid chiller is equipped with an automatic energy meter that indicates the instantaneous and overall cooling energy at the outlet, the instantaneous and overall electrical energy consumption, the instantaneous and average seasonal energy efficiency for monitoring and a unit performance check.
 - Pumping energy consumption can be reduced by up to 2/3 using Greenspeed® variable-speed pumps

AQUASNAP® - CUSTOMER BENEFITS

- lower refrigerant charge: the micro-channel technology used for condenser coils optimises heat transfer while minimising the refrigerant volume.
- Sealed refrigerant circuits:
 - Leaks are eliminated thanks to the absence of capillary tubes and the use of flare connections
 - Verification of pressure transducers and temperature sensors without transferring the refrigerant charge
 - Discharge line shut-off valve and liquid duct service valve for simplified maintenance
 - Qualified Carrier maintenance personnel to provide refrigerant servicing
 - ISO 14001 production plant
- Refrigerant leak detection: available as an option, this additional dry contact allows reporting of possible leaks. The leak detector (supplied externally) should be mounted in the most likely leak location.

Superior reliability

- State-of-the-art concept
 - Two self-contained refrigerant circuits; the second one automatically takes over if the first one develops a fault, maintaining partial cooling in all circumstances
 - All compressor components are easily accessible on site, minimising downtime
 - All-aluminium Novation™ micro-channel heat exchanger (MCHE) (30RB-30RBP) with higher corrosion resistance than a conventional coil. The all-aluminium construction eliminates the formation of galvanic currents between aluminium and copper which can corrode the coil in saline or corrosive atmospheres
 - V-coil design to protect the coils against hail impact
 - Optional Enviro-shield® anti-corrosion coil coating for use in moderately corrosive environments. Coating applied through conversion process which modifies the surface of the aluminium producing a coating that is integral to the coil. Immersion in a bath to ensure 100% coverage. No heat transfer variation, tested for 4000 hours in salt spray per ASTM B117
 - Optional Super Enviro-shield® anti-corrosion coil coating for use in extremely corrosive environments. Extremely durable and flexible epoxy polymer coating applied on the outer surface of the coil using an electro coating process with a final UV protective topcoat. Minimal heat transfer variation, tested for 6000 hours in salt spray per ASTM B117, superior impact resistance per ASTM D2794
 - Electronic flow switch. Auto-setting according to cooler size and fluid type.

- Self-regulating control
 - The control algorithm prevents excessive compressor cycling and reduces the quantity of water in the water loop (Carrier patent)
 - Automatic compressor unloading in case of abnormally high condensing pressure
 - Automatic fan speed adjustment in case of coil fouling (30RBP-30RQP models)
 - Soft fan start to increase unit lifetime (30RBP-30RQP models).
- Exceptional endurance tests:
 - To design critical components and sub-assemblies to minimise the risk of failure on site, Carrier uses specialised laboratories and advanced dynamic simulation tools.
 - To ensure that the units reach customer sites in the same condition as they are when tested in the factory, Carrier tests the machine behaviour during transportation over 250 km. The road test is based on a military standard and is the equivalent to 5000 km by truck on a normal road.
 - To guarantee the coil corrosion resistance, salt spray corrosion resistance tests are performed in the group's laboratory.
 - In addition, to maintain the unit's performance throughout its operating life whilst minimising maintenance costs, end users can access the "Connected Services" remote monitoring service.

Designed to support Green Building Design

A green building is a building that is environmentally sustainable and is designed, constructed and operated to minimise the total impact on the environment.

The resulting building will be economical to operate, offer increased comfort and create a healthier environment for the people who live and work there, increasing productivity.

The air conditioning system can use between 30 and 40% of the annual building energy consumption. Choosing the right air conditioning system is one of the main considerations when designing a green building. For buildings with a load that varies throughout the year, the AquaSnap® 30RBP/RQP unit offers a solution to this important challenge.

A number of green building certification programmes exist in the market and offer third-party assessment of green building measures for a wide variety of building types.

The following example looks at how Carrier's new AquaSnap® range helps customers affected by the LEED® building certification.

AQUASNAP® - CUSTOMER BENEFITS

Energy saving certificate

The AquaSnap® 30RBP/RQP unit is eligible for energy saving certificates in France (CEE) in comfort, industrial and agriculture applications:

- Floating High pressure control (by modulating the air flow through fan activation and speed)
- Floating Low pressure control
- Variable speed on asynchronous fan motor
- Variable speed on asynchronous pump motor
- Partial or total recovery of energy

For more details about financial incentives in France, please refer to the "CEE product sheet".

AquaSnap® and LEED® certification

The LEED® (Leadership in Energy and Environmental Design) green building certification programme is a major initiative set up to assess the design, construction and operation of green buildings with points assigned in seven credit categories:

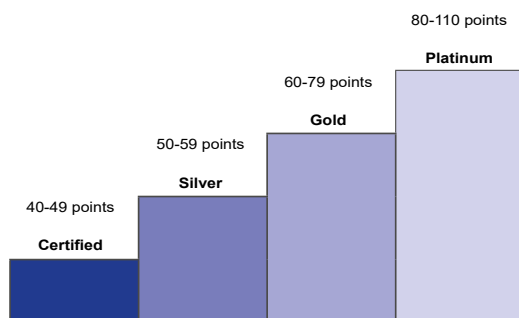
- Sustainable Sites (SS),
- Water efficiency (WE),
- Energy and atmosphere (EA),
- Materials and resources (MR)
- Indoor environmental quality (IEQ)
- Innovation in design (ID)
- Regional Priority (RP).

There are a number of different LEED® products.

While the strategies and categories assessed remain the same, the distribution of points varies depending on the type of building and the requirements of the application, based on whether it is a new construction, school, core & shell, retail or healthcare.

All programmes now use the same point scale:

110 LEED® points available



The majority of credits in LEED® rating systems are performance-based and achieving them is dependent on the impact of each component or sub-system on the building as a whole.

While the LEED® green building certification programmes do not certify products or services, choosing the right products, systems or service programmes is critical to obtaining LEED® certification for a registered project, because the right products or service programmes can help meet the goals of green construction and ongoing operation and maintenance.

The choice of heating, ventilation and air conditioning (HVAC) products in particular can have a significant impact on LEED® certification, as the HVAC system directly impacts two categories that together influence 40% of the available points.

EcoPassport®

The PEP ecopassport® programme provides an international reference framework for procedures enabling manufacturers to report the environmental specifications of their products in the form of an environmental claim known as a Product Environmental Profile (PEP).

The PEP ecopassport® programme guarantees that PEPs are correctly drawn up, verified and reported in line with the requirements of the ISO 14025 and IEC/PAS 62545 standards.

The Life Cycle Analysis (LCA) PEP is the environmental identity card for an item of equipment which details the environmental impacts of the product during its life cycle according to eight mandatory indicators:

1. Global Warming Potential
2. Impact on the ozone layer
3. Acidification of soil and water
4. Eutrophication of water
5. Photochemical ozone creation
6. Abiotic resource depletion
7. Fresh water consumption
8. Total use of primary energy during the life cycle

Products with certified environmental profiles are used to support methods to assess building sustainability such as BREEAM, LEED. BREEAM, LEED gives additional recognition for materials with robust environmental product declaration types using manufacturer data.

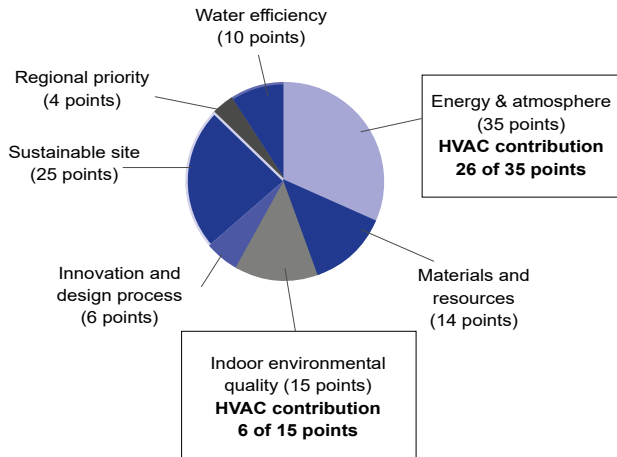
Carrier is the first HVAC manufacturer to provide PEPs for liquid chillers and heat pumps with not only the 8 mandatory indicators, but all 27 indicators.

The PEP for the AquaSnap® 30RBP can be downloaded from the PEP ecopassport® website: <http://www.pep-ecopassport.org/fr/>

AQUASNAP® - CUSTOMER BENEFITS

Designed to support Green Building Design

Overview of LEED® for new construction and major renovations



NOTE: This section describes the prerequisites and credit requirements in LEED® for new construction and is directly related to 30RBP/RQP units. Other prerequisites and credit requirements are not directly and purely related to the air conditioning unit itself, but more to the control of the HVAC system as a whole.

i-Vu®, Carrier's open control system, has features that can be valuable for:

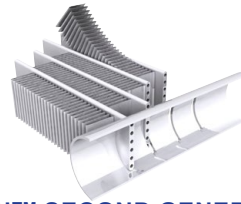
- EA prerequisite 1: fundamental commissioning of energy management systems;
- EA credit 3: enhanced commissioning (2 points);
- EA credit 5: measurements and verification (3 points).

NOTE: Products are not reviewed or certified under LEED®. LEED® credit requirements cover the performance of materials in aggregate, not the performance of individual products or brands. For more information on LEED®, visit www.usgbc.org.

The new AquaSnap® units from Carrier can help building owners to earn LEED® points in particular in the Energy & Atmosphere (EA) credit category and help address the following prerequisites and credit requirements:

- EA prerequisite 2: minimum energy performance
- 30RBP/RQP units exceed the energy efficiency requirements of ASHRAE 90.1-2007; therefore they satisfy the prerequisites.
- EA prerequisite 3: fundamental refrigerant management
30RBP/RQP units do not use chlorofluorocarbon (CFC) refrigerants, thus satisfying the prerequisites.
- EA credit 1: Optimise energy performance (1 to 19 points)
Points for this credit are assigned depending on the energy cost reduction virtually achievable by the new building, compared to ASHRAE 90.1-2007 reference. 30RBP/RQP units, which are designed for high performance especially during part load operation, help to reduce the building's energy consumption and therefore to gain points for this credit. In addition, the Carrier HAP (Hourly Analyses Program) can be used to analyse energy. It meets the modelling requirements for this credit and produces reports which can be easily transferred to LEED® charts.
- EA credit 4: Enhanced refrigerant management (2 points)
With this credit, LEED® awards systems that minimise the installed system's Ozone Depletion Potential (ODP) and Global Warming Potential (GWP). 30RBP/RQP units use a reduced R-32 charge and therefore help satisfy the requirements of this LEED® credit.

30RB - 30RQ TECHNICAL OVERVIEW



COPPER/ALUMINIUM COILS (30RQ)

- Protective heat shrink sleeves around the distribution sections
- Coil heaters to prevent frost formation and help drain condensate during defrosting



SIXTH GENERATION FLYING BIRD™ FIXED-SPEED FANS

- Exclusive Carrier design
- Fan blade design inspired by nature
- High efficiency version with AC motor technology



SmartVu™ control

- 9 languages available
- 4.3" user-friendly touch screen
- All main parameters displayed on one screen
- Direct access to the unit's technical drawings and the main service documents
- Very easy online monitoring
- Easy and secure access to unit parameters
- Optional BACnet, J-Bus or LON communication interfaces

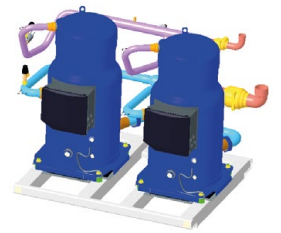
SMART ENERGY CONSUMPTION MONITORING

- Real time energy consumption estimation (kWh)
- Estimation of the supplied cooling/heating energy (kWh)
- Instantaneous and average energy efficiency values under real operating conditions
- Remote monitoring with "Connected service"

NOVATION™ SECOND GENERATION MICRO CHANNEL HEAT EXCHANGERS (30RB)

- Increased reliability with new aluminium alloy
- Significantly reduces the refrigerant charge (-40% compared to Cu/Al coils)
- Improved thermal performance, improved efficiency and lower pressure drops compared to Cu/Al coils
- Enviro-Shield® coating for mildly corrosive environments
- Super Enviro-Shield® coating for highly corrosive environments (industrial or marine applications)
- Easy cleaning with high pressure air or water washer

SCROLL COMPRESSORS



REDUCED REFRIGERANT CHARGE



HIGH-EFFICIENCY BRAZED PLATE HEAT EXCHANGER

- Latest generation asymmetrical type
- Low pressure drop



30RBP - 30RQP TECHNICAL OVERVIEW



**FAN SPEED
REGULATOR**



**SIXTH GENERATION FLYING
BIRD™ VARIABLE-SPEED
FANS**

- Carrier fan blade design inspired by nature
- Patented algorithm to control the fan speed
- Dedicated variator or EC type motor
- Night mode operation



PUMP SPEED REGULATOR



VARIABLE-SPEED PUMP

- Water flow electronic control and reading
- Automatic protection of the pump against low pressure
- Multiple control options:
 - Constant flow with low speed mode on standby
 - Variable flow based on pressure difference or constant temperature

TECHNICAL INSIGHTS

SmartVu™ control

The SmartVu™ control combines intelligence with operating simplicity. The control constantly monitors all machine parameters and precisely manages the operation of compressors, expansion devices, fans and the evaporator water pump for optimum energy efficiency.

The SmartVu™ control features advanced Ethernet-based communication technology (IP) and a user-friendly and intuitive user interface with 4.3-inch colour touch screen.

- Energy management configuration
 - Internal timer: Controls chiller on/off times and operation at a second setpoint
 - Setpoint offset based on the outdoor air temperature
 - Master/slave control of two chillers operating in parallel with runtime balancing and automatic changeover in case of a unit fault.
 - Innovative smart energy monitoring, providing users with smart data such as real-time electrical energy consumption and cooling capacity, and instantaneous and average energy efficiency values.
 - For further energy savings, the AquaSnap® can be monitored remotely by Carrier experts for energy consumption diagnosis and optimisation.
- Integrated features
 - Night mode: Capacity and fan speed limitation for reduced noise level
 - With hydraulic module: Water pressure display and water flow rate calculation.
- Advanced communication features
 - Easy, high-speed communication technology over Ethernet (IP) to a centralised building management system
 - Access to multiple unit parameters.
- Maintenance functions
 - F-Gas regulation leak check reminder alert
 - Maintenance alert can be configured to days, months or hours of operation
 - Storage of maintenance manual, wiring diagram and spare parts list
 - Display of trend curves for the main values
 - Management of a fault memory allowing a log of the last 50 incidents to be accessed, with operating readings taken when the fault occurs
 - Blackbox memory

■ 4"3 SmartVu™ user interface



- Intuitive and user-friendly 4"3 inch touch screen interface
- Concise and clear information is available in local languages
- Complete menu, customised for different users (end user, service personnel or Carrier engineers).

Remote management (standard)

Units with SmartVu™ control can be easily accessed from the internet, using a PC with an Ethernet connection. This makes remote control quick and easy and offers significant advantages for service operations.

The AquaSnap® is equipped with an RS485 serial port that offers multiple remote control, monitoring and diagnostic possibilities. Carrier offers a vast choice of control products, specially designed to control, manage and supervise the operation of an air conditioning system. Please consult your Carrier representative for more information.

The AquaSnap® also communicates with other centralised building management systems via optional communication gateways.

A connection terminal allows the AquaSnap® unit to be remotely controlled by wire:

- Start/stop: Opening of this contact will shut down the unit
- Dual setpoint: closing of this contact activates a second setpoint (e.g.: unoccupied mode).
- Demand limit: Closing of this contact limits the maximum chiller capacity to a predefined value.
- Operation indication: This volt-free contact indicates that the chiller is operating (refrigeration).
- Alarm indication: this volt-free contact indicates the presence of a major fault that has led to the shut-down of one or several refrigerant circuits.

TECHNICAL INSIGHTS

Energy management module (option)

The Energy Management Module offers extended remote control possibilities:

- Room temperature: enables the setpoint to be reset based on the indoor air temperature of the building (with Carrier thermostat).
- Setpoint reset: the cooling setpoint is reset based on a 4-20 mA signal.
- Demand limit: enables the maximum chiller power to be limited based on a 4-20 mA signal.
- Demand limit 1 and 2: closing of these contacts limits the maximum chiller power or current to two predefined values.
- User safety: this contact can be used for any customer safety loop; opening the contact generates a specific alarm.
- Ice storage end: when ice storage has finished, this input is used to return to the second setpoint (unoccupied mode).
- Time schedule override: closing of this contact cancels the effects of the time schedule.
- Out of service: this signal indicates that the chiller is completely out of service.
- Chiller capacity: this analogue output (0-10 V) gives an immediate indication of the chiller capacity.
- Alert indication: this volt-free contact indicates the need to carry out a maintenance operation or the presence of a minor fault.
- Boiler control: this on/off output controls an independent boiler to provide hot water.

TECHNICAL INSIGHTS

Novation™ heat exchangers with microchannel coil technology

Already used in the automotive and aeronautical industries for many years, the Novation™ micro-channel heat exchanger (MCHE) used in the AquaSnap® 30RB-30RBP liquid chillers is made entirely of aluminium. This packaged design significantly increases its corrosion resistance by eliminating the galvanic currents that are created when two different metals (copper and aluminium) come into contact in traditional heat exchangers.

- From an energy efficiency point of view, Novation™ heat exchangers are approximately 10% more efficient than traditional coils and micro-channel coil technology enables a 40% reduction in the amount of refrigerant used in the chiller.
- The reduced depth of the Novation™ MCHE reduces air pressure losses by 50% and makes it much less susceptible to fouling (e.g. by sand). The Novation™ MCHE heat exchanger can be cleaned quickly using a high-pressure washer.
- To further enhance long-term performance and protect coils against premature deterioration, Carrier offers (as options) dedicated treatments for installations in corrosive environments.
 - The Novation™ MCHE with Enviro-Shield® protection (option 262) is recommended for installations in moderately corrosive environments. The Enviro-Shield® protection uses corrosion inhibitors which actively arrest oxidation in case of mechanical damage.
 - The Novation™ MCHE with exclusive Super Enviro-Shield® protection (option 263) is recommended for installations in corrosive environments. Super Enviro-Shield® protection comprises an extremely durable and flexible epoxy coating uniformly applied over all coil surfaces for complete isolation from the contaminated environment.
- After more than 7000 hours of testing based on various standards in Carrier group laboratories, the Novation™ MCHE with Super Enviro-shield® coating emerged as the best customer choice to minimise the harmful effects of corrosive atmospheres and ensure a long equipment life:
 - Best corrosion resistance per the ASTM B117/D610 test;
 - Best heat transfer performance per the Carrier Marine 1 test;
 - Proven reliability per the ASTM B117 test.



Coil Types (ranked by performance)	Visual Corrosion Evaluation	Heat Transfer Performance Degradation	Time to Failure	Test Campaign Conclusions
Super Enviro-shield® Novation™ MCHE	Very good	Good	No coil leak	Best
Super Enviro-shield® Cu/Al coil	Very good	Very good	No coil leak	Very good
Enviro-shield® Novation™ MCHE	Very good	Good	No coil leak	Very good
Al/Al coil	Very good	Good	No coil leak	Very good
Novation™ MCHE	Good	Very good	No coil leak	Good
Cu/Cu coil	Good	Good	Leak	Acceptable
Blygold® Cu/Al coil	Good	Good	No coil leak	Acceptable
Precoat Cu/Al coil	Bad	Bad	No coil leak	Bad
Cu/Al coil	Bad	Bad	No coil leak	Bad

TECHNICAL INSIGHTS

New generation of Flying Bird VI™ fans with AC or EC motors (optional)



The 30RB-RBP/30RQ-RQP unit uses Carrier's sixth generation Flying Bird™ fan technology, engineered for maximum efficiency, super low noise, and a wide operating range. The fans use Carrier patented rotating shroud technology and back-swept blades with a wave-serration trailing edge inspired by nature.

They were designed and optimised for the air management system configuration and heat exchanger technology used in the 30RB-RBP/30RQ-RQP unit.

The fans and their impellers use Carrier's robust and proven injection moulded composite thermoplastic construction.

On the 30RBP/30RQP with option 17, the fans are driven by an EC motor, also known as brushless DC, with dedicated electronics to manage commutation. This offers high precision for fans that require higher efficiency and variable speed. The fans meet the latest European Ecodesign requirements for fan efficiency.

EC motor (option 17)



OPTIONS

Options	No.	Description	Advantages	30RB/RBP 170R-950R	30RQ/RQP 165R-1040R
Corrosion protection, traditional coils	3A	Fins made of pre-treated aluminium (polyurethane and epoxy)	Improved corrosion resistance, recommended for moderate marine and urban environments	No	165R-1040R
Low-temperature brine solution	6B	Low temperature chilled water production down to -8 °C with ethylene or propylene glycol	Covers specific applications such as ice storage and industrial processes	30RBP 170R-950R	No
High-pressure static fans	12	Unit equipped with high-pressure variable-speed static fans (maximum 200 Pa), each fan being equipped with a connection flange for connection to the ducting system.	Ducted fan discharge, optimised fan speed control, based on the operating conditions and system characteristics	30RBP 170R-950R	30RQP 165R-1040R
Very low noise level	15LS	Acoustic compressor enclosure and low-speed fans	Noise level reduction for sensitive sites	170R-950R	165R-1040R
EC fans	17	Unit equipped with EC fans	Improves the unit's energy efficiency	30RBP 170R-950R	30RQP 165R-1040R
Protection grilles	23	Metallic protection grilles	Coil protection against possible impact	170R-950R	165R-1040R
Soft starter per circuit	25E	Soft starter on each circuit	Economical solution for reduced start-up current	170R-950R	165R-1040R
Soft starter per compressor	25	Electronic starter on each compressor	Reduced start-up current	170R-410R	165R-400R / 620R-800R
Water exchanger frost protection	41	Electric heater on the water type heat exchanger and the water duct	Water type heat exchanger module frost protection for an outdoor air temperature between 0 °C and -20 °C	170R-950R	165R-1040R
Water manifold antifreeze protection	41D	Electric heater on the water manifold pipe system	Water manifold antifreeze protection down to an outdoor temperature of -20 °C	No	620R-1040R
Exchanger and hydraulic module frost protection	42A	Electrical heaters on the water type heat exchanger, water pipes, hydraulic module and expansion tank	Water type heat exchanger and hydraulic module frost protection down to an outdoor air temperature of -20 °C	170R-950R	165R-1040R
Exchanger and hydraulic module frost protection	42B	Electrical heater on the water type heat exchanger, water pipes, hydraulic module and optional expansion tank & buffer tank	Water type heat exchanger and hydraulic module frost protection down to an outdoor air temperature of -20 °C	170R-950R	165R-520R
Partial heat recovery	49	Unit equipped with one desuperheater on each refrigerant circuit	Production of free high-temperature hot water simultaneously with chilled water production (or hot water for heat pump)	170R-950R	165R-1040R
Total heat recovery	50	Unit equipped with additional heat exchanger in series with the condenser coils.	Production of free hot water, adjustable on demand	30RBP 170R-950R	No
Master/slave operation	58	Unit equipped with supplementary water outlet temperature sensor kit (to be field installed) allowing master/slave operation of two units connected in parallel	Optimised operation of two units connected in parallel operation with runtime balancing	170R-950R	165R-520R
Compressor suction and discharge valves	92A	Shut-off valves on the common compressor suction and discharge pipes	Simplified maintenance. Possibility to store the refrigerant charge in the cooler or condenser side during servicing	170R-950R	165R-1040R
Evaporator single HP pump	116R	Evaporator hydraulic module equipped with high-pressure fixed-speed pump, drain valve, air vent and pressure sensors. Please refer to the dedicated chapter for more details (expansion tank not included; option with built-in hydraulic safety components available)	Quick and easy installation (plug & play)	170R-550R	165R-520R
Dual HP pump hydraulic module	116S	Dual high pressure water pump, water filter, electronic water flow rate control, pressure sensors. For more details, refer to the dedicated chapter (expansion tank not included; option with built-in hydraulic safety components available)	Quick and easy installation (plug & play)	170R-550R	165R-520R

OPTIONS

Options	No.	Description	Advantages	30RB/RBP 170R-950R	30RQ/RQP 165R-1040R
LP single-pump hydraulic module	116T	Single low pressure water pump, water filter, electronic water flow rate control, pressure sensors. For more details, refer to the dedicated chapter (expansion tank not included; option with built-in hydraulic safety components)	Quick and easy installation (plug & play)	170R-550R	165R-520R
LP dual-pump hydraulic module	116U	Dual low pressure water pump, water filter, electronic water flow control, pressure sensors. For more details, refer to the dedicated chapter (expansion tank not included; option with built-in hydraulic safety components)	Quick and easy installation (plug & play)	170R-550R	165R-520R
Variable-speed single HP pump	116V	Single low pressure water pump, water filter, electronic water flow rate control, pressure sensors. For more details, refer to the dedicated chapter (expansion tank included; option with built-in hydraulic safety components available)	Quick and easy installation (plug & play), significant reduction in pumping energy consumption level (more than two-thirds), precise water flow control, improved system reliability	170R-950R	165R-1040R
Variable-speed dual high-pressure pump.	116W	Dual high pressure water pump with speed regulator, pressure sensors. Multiple water flow rate control options. For more details, refer to the dedicated chapter (expansion tank not included; option with built-in hydraulic safety components available)	Quick and easy installation (plug & play), significant reduction in pumping energy consumption level (more than two-thirds), precise water flow control, improved system reliability	170R-950R	165R-1040R
High energy efficiency underfloor heating/cooling application	119C	Optimisation of the refrigerant and control circuit for the underfloor heating/cooling system application	Improvement of performances and reduction of energy costs for the underfloor heating/cooling application	No	165R-1040R
Lon communication gateway	148D	Two-directional communication board complying with Lon Talk protocol	Connects the unit by communication BUS to a centralised building management system	170R-950R	165R-1040R
ModBus over IP and RS485 communication gateway	149B	Two-directional high-speed communication using the ModBus over Ethernet network (IP) protocol	Easy, quick connection via Ethernet line to a building technical management system. Allows access to several unit parameters.	170R-950R	165R-1040R
Bacnet over IP	149	Two-directional high-speed communication using BACnet protocol over Ethernet network (IP)	Easy and high-speed connection by Ethernet line to a BMS. Allows access to multiple unit parameters	170R-950R	165R-1040R
Energy management module	156	EMM Control board with additional inputs/outputs. See Energy Management Module section	Extended remote control capabilities (setpoint reset, ice storage end, demand limits, boiler on/off command...)	170R-950R	165R-1040R
Contact for refrigerant leak detection	159	0-10 V signal to report any refrigerant leakage in the unit directly (the leak detector itself must be supplied by the customer)	Immediate customer notification of refrigerant losses to the atmosphere, allowing timely corrective actions	170R-950R	165R-1040R
Phase controller	159B	Phase controller on the power supply	Reinforced protection of the compressors by monitoring rotation, the absence and asymmetry of the phases, and the over- or under-voltage of the electricity network	Dec. 2022	Dec. 2022
Compliance with Russian regulations	199	EAC certification	Compliance with Russian regulations	170R-950R	165R-1040R
Coil defrost resistance heaters	252	Electric heaters under the coils and the condensate pans	Prevents frost formation on the coils; compulsory in heating mode if the outdoor temperature is below 0 °C	No	165R-1040R
Insulation of the evaporator inlet/outlet refrigerant lines	256	Thermal insulation of the evaporator inlet/outlet refrigerant lines, with UV-resistant flexible connection and insulation	Prevents condensation on the evaporator inlet/outlet refrigerant lines	170R-950R	165R-1040R

OPTIONS

Options	No.	Description	Advantages	30RB/RBP 170R-950R	30RQ/RQP 165R-1040R
Enviro-Shield anti-corrosion protection®	262	Coating applied using a conversion process which modifies the surface of the aluminium producing a coating that is integral to the coil. Complete immersion in a bath to ensure 100% coverage. Minimal heat transfer variation, tested to withstand more than 4000 hours of salt spray as per ASTM B117	Improved corrosion resistance, recommended for use in moderately corrosive environments	170R-950R	No
Super Enviro-Shield anti-corrosion protection®	263	Extremely durable and flexible epoxy polymer coating applied by electro coating process, final UV protective topcoat. Minimal heat transfer variation, tested to withstand more than 6000 hours of constant neutral salt spray as per ASTM B117, improved impact resistance as per ASTM D2794	Improved corrosion resistance, recommended for use in extremely corrosive environments	170R-950R	No
Welded evaporator connection kit	266	Victaulic piping connections with welded joints	Easy installation	170R-950R	165R-1040R
Compressor enclosure	279a	Compressor with enclosure	Improved aesthetics, compressor protection against external elements (dust, sand, water...)	170R-950R	165R-1040R
EMC class. C2, as per EN 61800-3	282	Additional RFI filters on the unit power line	Reduces electromagnetic interferences in compliance with the emissions level required in category C2 to enable it to be used in the first environment ("residential environment")	170R-950R	165R-1040R
230 V electrical plug	284	230 VAC power source provided with plug socket and transformer (180 VA, 0.8 A)	Enables connection of a laptop or an electrical device during system start-up or maintenance	170R-950R	165R-1040R
Expansion tank	293	6-bar expansion tank built into the hydraulic module (requires hydraulic module option)	Easy and fast installation (plug & play), & protection of closed water systems from excessive pressure	170R-950R	165R-1040R
Electric energy meter	294	Electric energy meter. Display of energy consumption, instantaneous (U, V, I) and cumulative (kWh), on the machine interface, data available on the communication bus	Permits the acquisition and monitoring (remotely via the CMS/BMS) of the energy used.	Dec. 2022	Dec. 2022
Ultra fast capacity recovery	295+	Built-in battery to allow an ultra-rapid restart whilst maintaining the unit's reliability.	Full capacity recovery in less than one minute after a power failure. Meets the requirements of typical critical missions applications. (process, data centres)	Dec. 2022	No
Screwed water connection sleeves for desuperheater	303	DSH connections with screw connection sleeves	Easy to install. Allows unit connection to a screw connector	170R-950R	165R-1040R
Welded connection sleeve for desuperheater	304	DSH inlet/outlet welded connection sleeves	Easy installation	170R-950R	165R-1040R
Free cooling (total)	305A	Free cooling hydraulic coils on the two refrigerant circuits	Energy savings for applications which require cooling all year round (e.g.: industrial processes, data centres)	170R-950R	No
Free cooling (partial)	305B	Free cooling hydraulic coils on a refrigerant circuit	Energy savings for applications with reduced demand for cooling in the winter (e.g. office space with computer room, meeting rooms)	170R-950R	No
Water buffer tank module	307	Built-in water buffer tank module	Avoids short cycle on compressors and ensures stable water in the loop	170R-950R	165R-1040R
Free cooling dry cooler management	313	Control & connections to a Free Cooling Drycooler 09PE or 09VE fitted with option FC control box	Easy system management, control capabilities extended to a drycooler used in Free Cooling mode	170R-950R	No

OPTIONS

Options	No.	Description	Advantages	30RB/RBP 170R-950R	30RQ/RQP 165R-1040R
Compliance with UAE regulations	318	Additional label on the unit with input power, current and EER under rated conditions in accordance with AHRI 550/590	Compliance with ESMA standard UAE 5010-5:2016.	170R-950R	No
Compliance with Qatar regulations	319	Specific name plate on the unit with 415 V +/-6% power supply	Compliance with KAHRAMAA regulations in Qatar	170R-950R	No
Water manifold	325A	Pipe system ensuring a single hydraulic connection point	Easy installation	No	620R-1040R
Installation or application process outside Europe	326	Specific management of option compatibility	Permits non-standard option compatibility for HVAC application in the EU	30RB 170R-380R 30RBP 170R-950R	No
Compliance with Moroccan regulations	327	Specific regulatory documentation	Compliance with Moroccan regulations	170R-950R	165R-1040R
Delivered wrapped in plastic film	331	Unit wrapped in a plastic cover and strapped onto a wooden pallet.	Protects against dust and external soiling of the unit during storage and transport.	170R-950R	165R-1040R
IT neutral system	333	Specific earthing which insulates the earth neutral point.	The device continues to operate after the first electrical insulation fault thereby ensuring continuity of operations (industrial processes, data centres, hospitals).	Dec. 2022	Dec. 2022



FREE COOLING SYSTEM (OPTION 305A – 305B)

Reducing operating costs and protecting the environment have become the key concerns, both for air conditioning applications, and for industrial processes and cooling data centres.

The free cooling option allows significant energy savings to be made in all applications that require cooling throughout the year, particularly when used in colder climates. In these regions, free cooling can be used to fulfil a large proportion of the cooling requirements both economically and in a way that respects the environment

In free cooling mode, the compressors are stopped, and only the fans are in operation. The SmartVu™ control automatically switches from compressor cooling mode to free cooling mode depending on the chiller heat load and the temperature differential between the chilled water outlet and the ambient air.

Important: to optimise cooler performance, you are recommended to use the leaving water temperature setpoint offset function.

Operating principle

The unit's SmartVu™ control maximises the use of the free cooling based on the needs of the application and the climate conditions. Once the chilled water/ambient air temperature differential exceeds the threshold value by 1K, the SmartVu™ control activates free cooling and adjusts the air flow rate to optimise the unit's energy performance. If the operating conditions permit the free cooling to operate on its own to meet the requirements, the compressors are stopped. Two motorised valves direct the chilled water to the free cooling coils.

Three operating modes are possible:

Summer (warm weather season): Mechanical cooling mode

The liquid chiller meets the needs traditionally using the refrigerant circuit. The fluid bypasses the free cooling coils and is cooled by the evaporator.

Mid-season: Combination mode

It is possible to operate in combination free cooling and mechanical cooling mode. This helps optimise free cooling operations while covering the system's cooling requirements. The fluid is pre-cooled by the free cooling coils positioned in series with the refrigerant circuit evaporator which finalises cooling of the fluid.

Winter (cold weather season): Free cooling mode

Depending on the capacity requested and the setpoint, all of the requirements may be fulfilled by the free cooling in this operating mode without the fans running, thereby ensuring optimum energy efficiency.

Adaptations to requirements

Depending on the requirements of the user, the AquaSnap free cooling is available with 2 performance levels:

- 305A total hydraulic free cooling on the 2 circuits, specifically designed for installations which have major cooling requirements all year round (industrial processes, data centres)
- 305B partial hydraulic free cooling on 1 circuit, designed for installations which have limited cooling requirements during the winter (offices, hospitals, etc.)

Advantages of the built-in free cooling system

- The free cooling function is independent of the refrigerant circuit, which increases reliability and facilitates maintenance compared to free cooling built into the refrigerant circuit (DX FC).
- The Hydraulic Free Cooling design is intended to expand the scope of application compared to the Free Cooling refrigerant concept (DX FC) by enabling Free Cooling mode to be activated by a higher outdoor temperature, thereby allowing for greater energy savings.
- The built-in Hydraulic Free Cooling version developed based on the AquaSnap® range allows all of the advantages of a free cooling solution to be combined with the compact design of the base units.



FREE COOLING SYSTEM (OPTION 305A – 305B)

Physical properties of 30RBP units with the Free Cooling option

30RBP		170R	190R	210R	230R	270R	310R	340R	380R	410R	450R			
Cooling														
Standard unit Full load performances*	CA1	Nominal capacity	kW		181	198	220	239	288	328	366	401	440	475
		EER	kW/kW		3,28	3,46	3,31	3,25	3,12	3,23	3,16	3,21	3,16	3,22
FREE COOLING														
Total free cooling option (305A)	CFC1	Nominal capacity	kW		182	243	243	243	243	303	303	364	364	425
		Free cooling EER	kW/kW		25,86	25,43	25,43	25,43	25,76	25,76	25,94	25,55	25,71	26,07
		Pressure drops	kPa		94	112	112	112	102	107	101	117	112	103
		Sound power ⁽¹⁾	dB(A)		88,0	89,0	89,0	89,0	89,0	90,0	90,0	90,5	91,0	91,0
		Sound pressure at 10 m ⁽²⁾	dB(A)		69,0	70,5	70,5	70,5	70,5	70,5	70,5	71,0	71,5	71,0
Partial free cooling option (305B)	CFC1	Nominal capacity	kW		121	121	121	121	121	121	145	145	182	
		Free cooling EER	kW/kW		25,78	25,78	25,78	25,78	25,87	25,97	26,00	19,15	19,14	26,46
		Pressure drops	kPa		80	80	80	80	77	75	74	81	79	75
		Sound power ⁽¹⁾	dB(A)		86,0	86,0	86,0	86,0	86,0	86,0	86,0	87,5	88,0	87,5
		Sound pressure at 10 m ⁽²⁾	dB(A)		67,5	67,5	67,5	67,5	67,5	66,5	66,5	68,0	68,5	67,5
Unit + option 15LS ⁽³⁾ Full load performances*	CA1	Nominal capacity	kW		171	189	208	226	270	309	343	377	413	447
		EER	kW/kW		3,06	3,29	3,08	3,03	2,82	2,96	2,85	2,94	2,86	2,94
FREE COOLING														
Total free cooling option (305A)	CFC1	Nominal capacity	kW		148	197	197	197	197	247	247	296	296	345
		Free cooling EER	kW/kW		39,92	39,76	39,76	39,76	40,28	40,58	41,01	40,14	40,52	41,39
		Pressure drops	kPa		65	77	77	77	71	73	70	80	77	71
		Sound power ⁽¹⁾	dB(A)		79,5	80,5	80,5	80,5	81,0	82,0	82,0	82,0	82,5	82,5
		Sound pressure at 10 m ⁽²⁾	dB(A)		60,5	62,0	62,0	62,0	62,5	63,0	63,0	62,5	63,0	62,5
Partial free cooling option (305B)	CFC1	Nominal capacity	kW		98	98	98	98	99	99	99	118	118	148
		Free cooling EER	kW/kW		42,39	42,39	42,39	42,39	42,73	43,05	43,17	30,35	30,48	43,20
		Pressure drops	kPa		55	55	55	55	54	52	51	56	55	52
		Sound power ⁽¹⁾	dB(A)		77,5	77,5	77,5	77,5	78,0	78,0	78,0	79,0	79,5	79,0
		Sound pressure at 10 m ⁽²⁾	dB(A)		59,0	59,0	59,0	59,0	59,5	59,0	59,0	59,5	60,0	59,0
Total Free Cooling - Option 305A														
Free cooling coil														
All-aluminium micro-channel coils (MCHE)														
Quantity	3		4	4	4	4	5	5	6	6	7			
Hydraulic connection														
Connection	in		3"	3"	3"	3"	3"	4"	4"	4"	4"	4"		
External diameter	mm		88,9	88,9	88,9	88,9	88,9	114,3	114,3	114,3	114,3	114,3		
Additional water volume	l		60	72	72	72	72	113	113	126	126	200		
Weight⁽⁴⁾														
Additional weight (without water)	kg		225	266	266	266	266	357	359	395	397	516		
Additional weight (during operation)	kg		287	341	341	341	341	475	477	526	528	725		
Operation														
Max. operating pressure, water side	bar		6	6	6	6	6	6	6	6	6	6		
Partial Free Cooling - Option 305B														
Free cooling coil														
All-aluminium micro-channel coils (MCHE)														
Quantity	2		2	2	2	2	2	2	3	3	3			
Hydraulic connection														
Connection	in		3"	3"	3"	3"	3"	4"	4"	4"	4"	4"		
External diameter	mm		88,9	88,9	88,9	88,9	88,9	114,3	114,3	114,3	114,3	114,3		
Additional water volume	l		48	48	48	48	48	58	58	75	75	101		
Weight⁽⁴⁾														
Additional weight (without water)	kg		178	178	178	178	179	210	212	248	250	306		
Additional weight (during operation)	kg		227	227	227	227	228	271	273	326	328	411		
Operation														
Max. operating pressure, water side	bar		6	6	6	6	6	6	6	6	6	6		

* In accordance with EN14511-3:2018.

CA1 Cooling mode conditions: evaporator water inlet/outlet temperature 17 °C/10 °C, outdoor air temperature at 35 °C, 30% Mono-Ethylene-Glycol, evaporator fouling factor 0 m². kW

CFC1 Free cooling mode conditions: evaporator water inlet/outlet temperature 17 °C/10 °C, outdoor air temperature at 0 °C, 30% Mono-Ethylene-Glycol, evaporator fouling factor 0 m². kW

(1) In dB ref=10⁻¹² W, (A) weighting. Declared dual-number noise emission value in accordance with ISO 4871 with an uncertainty of +/-3 dB(A). Measured in accordance with ISO 9614-1 and certified by Eurovent.

(2) In dB ref 20 µPa, (A) weighting. Declared dual-number noise emission value in accordance with ISO 4871 with an uncertainty of +/-3 dB(A). For information, calculated from the sound power Lw(A).

(3) Options: 15LS = Very low noise level, 116V = Variable speed high pressure single-pump hydraulic module.

(4) Values are guidelines only. Refer to the unit name plate.



FREE COOLING SYSTEM (OPTION 305A – 305B)

30RBP			480R	550R	610R	670R	720R	770R	800R	870R	950R	
Cooling												
Standard unit Full load performances*	CA1	Nominal capacity	kW	512	585	652	718	767	827	852	932	994
		EER	kW/kW	3,16	3,15	3,23	3,22	3,12	3,14	3,10	3,06	2,96
FREE COOLING												
Total free cooling option (305A)	CFC1	Nominal capacity	kW	425	485	546	607	607	667	667	728	728
		Free cooling EER	kW/kW	26,12	25,96	25,99	25,77	25,77	25,65	25,65	25,41	25,41
		Pressure drops	kPa	102	110	111	120	120	126	126	136	136
		Sound power ⁽¹⁾	dB(A)	91,0	91,5	92,5	93,0	93,0	93,0	93,0	93,5	94,0
		Sound pressure at 10 m ⁽²⁾	dB(A)	71,0	71,5	72,0	72,5	72,5	72,0	72,0	72,5	73,0
Partial free cooling option (305B)	CFC1	Nominal capacity	kW	182	242	204	262	262	303	303	364	364
		Free cooling EER	kW/kW	26,46	26,58	20,36	20,91	20,91	26,66	26,66	26,57	26,57
		Pressure drops	kPa	75	79	77	82	82	80	80	86	86
		Sound power ⁽¹⁾	dB(A)	87,5	88,5	89,0	90,0	90,0	89,5	89,5	90,5	91,0
		Sound pressure at 10 m ⁽²⁾	dB(A)	67,5	68,5	68,5	69,5	69,5	68,5	68,5	69,5	70,0
Unit + option 15LS⁽³⁾ Full load performances*	CA1	Nominal capacity	kW	481	549	613	677	719	777	798	873	925
		EER	kW/kW	2,85	2,85	2,94	2,94	2,82	2,84	2,79	2,76	2,63
FREE COOLING												
Total free cooling option (305A)	CFC1	Nominal capacity	kW	345	395	444	493	493	543	543	592	592
		Free cooling EER	kW/kW	41,49	41,14	41,23	40,73	40,73	40,47	40,47	39,92	39,92
		Pressure drops	kPa	70	75	76	82	82	86	86	93	93
		Sound power ⁽¹⁾	dB(A)	83,0	83,5	85,0	85,0	85,0	85,5	84,5	85,5	86,0
		Sound pressure at 10 m ⁽²⁾	dB(A)	63,0	63,5	64,0	64,5	64,5	64,5	63,5	64,5	65,0
Partial free cooling option (305B)	CFC1	Nominal capacity	kW	148	197	166	213	213	247	247	296	296
		Free cooling EER	kW/kW	43,24	43,63	32,85	34,02	34,02	44,19	44,19	44,26	44,26
		Pressure drops	kPa	52	55	53	56	56	56	56	59	59
		Sound power ⁽¹⁾	dB(A)	79,5	80,5	81,0	82,0	82,0	82,0	81,0	82,5	83,0
		Sound pressure at 10 m ⁽²⁾	dB(A)	59,5	60,5	60,5	61,5	61,5	61,0	60,0	61,5	62,0
Total Free Cooling - Option 305A												
Free cooling coil			All-aluminium micro-channel coils (MCHE)									
Quantity			7	8	9	10	10	11	11	12	12	
Hydraulic connection												
Connection			in	4"	4"	5"	5"	5"	5"	5"	5"	5"
External diameter			mm	114,3	114,3	139,7	139,7	139,7	139,7	139,7	139,7	139,7
Additional water volume			l	200	213	298	310	310	351	351	364	364
Weight⁽⁴⁾												
Additional weight (without water)			kg	515	556	662	700	700	814	814	851	851
Additional weight (during operation)			kg	724	778	972	1023	1023	1180	1180	1230	1230
Operation												
Max. operating pressure, water side			bar	6	6	6	6	6	6	6	6	6
Partial Free Cooling - Option 305B												
Free cooling coil			All-aluminium micro-channel coils (MCHE)									
Quantity			3	4	4	5	5	5	5	6	6	
Hydraulic connection												
Connection			in	4"	4"	5"	5"	5"	5"	5"	5"	5"
External diameter			mm	114,3	114,3	139,7	139,7	139,7	139,7	139,7	139,7	139,7
Additional water volume			l	101	120	186	198	198	205	205	224	224
Weight⁽⁴⁾												
Additional weight (without water)			kg	305	346	406	443	443	499	499	536	536
Additional weight (during operation)			kg	410	471	600	650	650	713	713	770	770
Operation												
Max. operating pressure, water side			bar	6	6	6	6	6	6	6	6	6

* In accordance with EN14511-3:2018.

CA1 Cooling mode conditions: evaporator water inlet/outlet temperature 17 °C/10 °C, outdoor air temperature at 35 °C, 30% Mono-Ethylene-Glycol, evaporator fouling factor 0 m², k/W

CFC1 Free cooling mode conditions: evaporator water inlet/outlet temperature 17 °C/10 °C, outdoor air temperature at 0 °C, 30% Mono-Ethylene-Glycol, evaporator fouling factor 0 m², k/W

(1) In dB ref=10⁻¹² W, (A) weighting. Declared dual-number noise emission value in accordance with ISO 4871 with an uncertainty of +/-3 dB(A). Measured in accordance with ISO 9614-1 and certified by Eurovent.

(2) In dB ref 20 µPa, (A) weighting. Declared dual-number noise emission value in accordance with ISO 4871 with an uncertainty of +/-3 dB(A). For information, calculated from the sound power L_w(A).

(3) Options: 15LS = Very low noise level, 116V = Variable speed high pressure single-pump hydraulic module,

(4) Values are guidelines only. Refer to the unit name plate.



FREE COOLING SYSTEM (OPTION 305A – 305B)

Operating limits

30RBP 170R-950R units

Water-cooled heat exchanger		Minimum	Maximum
Water inlet temperature at start-up	°C	8	40
Water outlet temperature during operation	°C	5	20
Air-cooled exchanger		Minimum	Maximum
Outdoor ambient operating temperature			
30RBP units - Full load	°C	-20	47
30RBP units - Part load	°C	-20	52 ⁽¹⁾

(1) Part load operation permitted above an outdoor air temperature of 47 °C. Contact the manufacturer to select a unit using the Carrier electronic catalogue.

All the free cooling units must be protected against freezing with 30% ethylene glycol in the cooling loop circuit (recommended value).

PHYSICAL DATA, SIZES 170R TO 380R

30RB		170R	190R	210R	230R	270R	310R	340R	380R	
Cooling										
Standard unit	CA1	Nominal capacity	kW							
Full load performances*		EER	kW/kW							
Seasonal energy efficiency**		SEER_{12/7°C} Comfort low temp.	kWh/kWh							
		η_s cool _{12/7°C}	%							
		SEER_{23/18°C} Comfort medium temp.	kWh/kWh							
		SEPR _{12/7°C} Process high temp.	kWh/kWh							
		SEPR_{-2/-8°C} Process medium temp.	kWh/kWh							
Part Load integrated values		IPLV.IP	Btu/Wh							
Part Load integrated values		IPLV.SI	kW/kW							
Unit + option 15LS	CA1	Nominal capacity	kW							
Full load performances*		EER	kW/kW							
Seasonal energy efficiency**		SEER_{12/7°C} Comfort low temp.	kWh/kWh							
		η_s cool _{12/7°C}	%							
		SEER_{23/18°C} Comfort medium temp.	kWh/kWh							
		SEPR _{12/7°C} Process high temp.	kWh/kWh							
		SEPR_{-2/-8°C} Process medium temp.	kWh/kWh							
Sound levels										
Standard unit										
Sound power ⁽¹⁾		dB(A)								
Sound pressure at 10 m ⁽²⁾		dB(A)								
Unit + option 15LS⁽³⁾										
Sound power ⁽¹⁾		dB(A)								
Sound pressure at 10 m ⁽²⁾		dB(A)								
Dimensions - standard unit										
Standard unit										
Length		mm								
Width		mm								
Height		mm								
Unit + option 307⁽³⁾										
Length		mm								
Operating weight⁽⁴⁾										
Standard unit		kg								
Unit + option 15LS ⁽³⁾		kg								
Unit + option 15LS + option 116W ⁽³⁾		kg								
Unit + option 15LS + option 116W + option 307 ⁽³⁾		kg								

* In accordance with EN14511-3:2018.
 ** In accordance with EN14825:2018, average climate conditions
 CA1 Cooling mode conditions: evaporator water inlet/outlet temperature 12 °C/7 °C, outdoor air temperature 35 °C, evaporator fouling factor 0 m². k/W
 η_s cool_{12/7°C} & SEER_{12/7°C} Values in bold comply with Ecodesign Regulation (EU) No. 2016/2281 for Comfort applications
 SEER_{23/18°C} Values in bold comply with Ecodesign Regulation (EU) No. 2016/2281 for Comfort applications
 SEPR_{12/7°C} Values calculated in accordance with EN 14825:2016
 SEPR_{-2/-8°C} Values calculated in accordance with EN 14825:2016
 IPLV.SI Calculated as per AHRI standard 551-591.
 (1) In dB ref=10⁻¹² W, (A) weighting. Declared dual-number noise emission value in accordance with ISO 4871 with an uncertainty of +/-3 dB(A). Measured in accordance with ISO 9614-1 and certified by Eurovent.
 (2) In dB ref 20 µPa, (A) weighting. Declared dual-number noise emission value in accordance with ISO 4871 with an uncertainty of +/-3 dB(A). For information, calculated from the sound power Lw(A).
 (3) Options: 15LS = Very low noise level, 116W = Variable-speed high pressure dual-pump hydraulic module, 307 = Water buffer tank module
 (4) Values are guidelines only. Refer to the unit name plate.



Eurovent certified values

PHYSICAL DATA, SIZES 170R TO 380R

30RB		170R	190R	210R	230R	270R	310R	340R	380R
Compressors		Hermetic Scroll 48.3 r/s							
Circuit A		1	1	1	2	2	2	2	3
Circuit B		2	2	2	2	2	3	3	3
Number of power stages		3	3	3	4	4	5	5	6
Unit PED category		III	III	III	III	III	III	III	III
Refrigerant⁽⁴⁾		R32 / A2L /GWP= 675 as per AR4							
Circuit A	kg	6,1	9,3	9,3	10,9	11,3	11,9	12,7	17,3
	tCO ₂ e	4,1	6,3	6,3	7,4	7,6	8,0	8,6	11,7
Circuit B	kg	10,9	10,9	10,9	10,9	11,3	16,7	17,5	17,3
	tCO ₂ e	7,4	7,4	7,4	7,4	7,6	11,3	11,8	11,7
Oil									
Circuit A	l	6,60	6,60	6,60	13,20	13,20	13,20	13,20	19,80
Circuit B	l	13,20	13,20	13,20	13,20	13,20	19,80	19,80	19,80
Capacity control		SmartVu™							
Minimum capacity	%	33	33	25	25	25	20	20	17
Condenser		All-aluminium micro-channel coils (MCHE)							
Fans		Axial Flying Bird 6 with rotating impeller							
Standard unit									
Quantity		3	4	4	4	4	5	5	6
Maximum total air flow	l/s	240	320	320	320	320	400	400	480
Maximum rotation speed	r/s	16	16	16	16	16	16	16	16
Evaporator		Direct expansion brazed-plate heat exchanger							
Water volume	l	15	15	15	19	27	27	35	44
Max. water-side operating pressure without hydraulic module	kPa	1000	1000	1000	1000	1000	1000	1000	1000
Hydraulic module (option)		Pump, Victaulic screen filter, relief valve, water and air vent valve, pressure sensors							
Pump		Centrifugal pump, monocell, 48.3 r/s, low or high pressure (as required), single or dual (as required)							
Expansion tank volume (option)	l	50	50	50	50	80	80	80	80
Buffer tank volume (option)	l	550	550	550	550	550	550	550	550
Max. water-side operating pressure with hydraulic module	kPa	400	400	400	400	400	400	400	400
Water connections with or without hydraulic module		Victaulic® type							
Connections	inches	3	3	3	3	3	4	4	4
External diameter	mm	88,9	88,9	88,9	88,9	88,9	114,3	114,3	114,3
Casing paintwork		Colour code RAL 7035							

(4) Values are guidelines only. Refer to the unit name plate.

PHYSICAL DATA, SIZES 410R TO 950R

30RB		410R	450R	480R	550R	610R	670R	720R	770R	800R	870R	950R	
Cooling													
Standard unit Full load performances*	Nominal capacity	kW	416	451	484	553	616	677	726	782	807	882	943,63
	EER	kW/kW	3,09	3,14	3,09	3,08	3,15	3,14	3,06	3,07	3,04	3,00	2,92
Seasonal energy efficiency**	SEER_{12/7°C} Comfort low temp.	kWh/kWh	4,61	4,72	4,73	4,76	4,82	4,85	4,80	4,84	4,83	4,82	4,75
	ηs cool_{12/7°C}	%	182	186	186	187	190	191	189	191	190	190	187
	SEER_{23/18°C} Comfort medium temp.	kWh/kWh	5,59	5,79	5,76	5,75	6,06	6,01	5,88	6,01	5,97	6,00	5,83
	SEPR _{12/7°C} Process high temp.	kWh/kWh	5,46	5,49	5,48	5,45	5,43	5,46	5,36	5,41	5,37	5,30	5,19
	SEPR_{2/-8°C} Process medium temp.	kWh/kWh	3,08	3,05	3,07	3,07	3,45	3,38	3,42	3,36	3,38	3,33	3,36
Part Load integrated values	IPLV.IP	Btu/Wh	16,97	17,11	17,10	17,10	17,47	17,41	17,22	17,39	17,34	17,24	17,03
Part Load integrated values	IPLV.SI	kW/kW	4,93	4,98	4,97	4,97	5,07	5,06	5,02	5,06	5,05	5,02	4,96
Unit + option 15LS Full load performances*	Nominal capacity	kW	394	428	458	523	586	645	688	743	765	836	890
	EER	kW/kW	2,86	2,93	2,85	2,85	2,94	2,93	2,83	2,85	2,81	2,77	2,66
Seasonal energy efficiency**	SEER_{12/7°C} Comfort low temp.	kWh/kWh	4,92	5,10	5,05	4,97	5,10	5,18	5,06	5,19	5,14	5,00	4,87
	ηs cool_{12/7°C}	%	194	201	199	196	201	204	200	204	203	197	192
	SEER_{23/18°C} Comfort medium temp.	kWh/kWh	5,82	6,01	5,93	6,00	6,29	6,47	6,22	6,45	6,36	6,12	5,87
	SEPR _{12/7°C} Process high temp.	kWh/kWh	5,63	5,58	5,58	5,54	5,52	5,58	5,44	5,46	5,41	5,36	5,22
	SEPR_{2/-8°C} Process medium temp.	kWh/kWh	3,16	3,13	3,15	3,15	3,54	3,46	3,49	3,44	3,46	3,41	3,44
Sound levels													
Standard unit													
Sound power ⁽¹⁾	dB(A)	93,5	94,0	94,0	94,5	97,5	97,5	98,0	98,0	98,5	98,5	99,0	
Sound pressure at 10 m ⁽²⁾	dB(A)	61,5	61,5	61,5	62,0	65,0	65,0	66,0	65,0	66,0	66,0	66,5	
Unit + option 15LS⁽³⁾													
Sound power ⁽¹⁾	dB(A)	88,0	88,5	88,5	89,0	92,5	92,5	93,0	93,0	93,5	93,5	94,5	
Sound pressure at 10 m ⁽²⁾	dB(A)	56,0	56,0	56,5	57,0	60,5	60,0	60,5	60,0	61,0	60,5	61,5	
Dimensions - standard unit													
Standard unit													
Length	mm	3604	4798	4798	4798	5992	5992	5992	7186	7186	7186	7186	
Width	mm	2253	2253	2253	2253	2253	2253	2253	2253	2253	2253	2253	
Height	mm	2324	2324	2324	2324	2324	2324	2324	2324	2324	2324	2324	
Unit + option 307⁽³⁾													
Length	mm	4798	5992	5992	5992	7186	7186	7186	8380	8380	8380	8380	
Operating weight⁽⁴⁾													
Standard unit	kg	2269	2697	2722	2927	3265	3511	3511	4042	4042	4291	4291	
Unit + option 15LS ⁽³⁾	kg	2414	2860	2885	3108	3398	3664	3664	4216	4216	4485	4485	
Unit + option 15LS + option 116W ⁽³⁾	kg	2609	3094	3119	3379	3708	3974	3974	4605	4605	4874	4874	
Unit + option 15LS + option 116W + option 307 ⁽³⁾	kg	3594	4086	4111	4371	4715	4981	4981	5626	5626	5895	5895	

- * In accordance with EN14511-3:2018.
 ** In accordance with EN14825:2018, average climate conditions
 CA1 Cooling mode conditions: evaporator water inlet/outlet temperature 12 °C/7 °C, outdoor air temperature 35 °C, evaporator fouling factor 0 m². k/W
 ηs cool_{12/7°C} & SEER_{12/7°C} Values in bold comply with Ecodesign Regulation (EU) No. 2016/2281 for Comfort applications
 SEER_{23/18°C} Values in bold comply with Ecodesign Regulation (EU) No. 2016/2281 for Comfort applications
 SEPR_{12/7°C} Values calculated in accordance with EN 14825:2016
 SEPR_{2/-8°C} Values calculated in accordance with EN 14825:2016
 IPLV.SI Calculated as per AHRI standard 551-591.
 (1) In dB ref=10⁻¹² W, (A) weighting. Declared dual-number noise emission value in accordance with ISO 4871 with an uncertainty of +/-3 dB(A). Measured in accordance with ISO 9614-1 and certified by Eurovent.
 (2) In dB ref 20 μPa, (A) weighting. Declared dual-number noise emission value in accordance with ISO 4871 with an uncertainty of +/-3 dB(A). For information, calculated from the sound power Lw(A).
 (3) Options: 15LS = Very low noise level, 116W = Variable-speed high pressure dual-pump hydraulic module, 307 = Water buffer tank module
 (4) Values are guidelines only. Refer to the unit name plate.



Eurovent certified values

PHYSICAL DATA, SIZES 410R TO 950R

30RB		410R	450R	480R	550R	610R	670R	720R	770R	800R	870R	950R
Compressors		Hermetic Scroll 48.3 r/s										
Circuit A		3	3	3	4	2	3	3	3	3	4	4
Circuit B		3	4	4	4	3	3	3	4	4	4	4
Number of power stages		6	7	7	8	5	6	6	7	7	8	8
Unit PED category		III	IV	IV	IV	III	III	III	IV	IV	IV	IV
Refrigerant⁽⁴⁾		R32 / A2L /GWP= 675 as per AR4										
Circuit A	kg	18,0	18,3	18,6	22,8	21,8	23,2	23,2	24,9	24,9	29,5	29,5
	tCO ₂ e	12,2	12,4	12,6	15,4	14,7	15,7	15,7	16,8	16,8	19,9	19,9
Circuit B	kg	18,0	21,9	22,3	22,8	23,2	23,2	23,2	29,5	29,5	29,5	29,5
	tCO ₂ e	12,2	14,8	15,1	15,4	15,7	15,7	15,7	19,9	19,9	19,9	19,9
Oil												
Circuit A	l	19,8	19,8	19,8	26,4	13,2	19,8	19,8	19,8	19,8	26,4	26,4
Circuit B	l	19,8	26,4	26,4	26,4	19,8	19,8	19,8	26,4	26,4	26,4	26,4
Capacity control		SmartVu™										
Minimum capacity	%	17	14	14	13	20	17	17	14	14	13	13
Condenser		All-aluminium micro-channel coils (MCHE)										
Fans		Axial Flying Bird 6 with rotating impeller										
Standard unit												
Quantity		6	7	7	8	9	10	10	11	11	12	12
Maximum total air flow	l/s	480	560	560	640	720	800	800	880	880	960	960
Maximum rotation speed	r/s	16	16	16	16	16	16	16	16	16	16	16
Evaporator		Direct expansion brazed-plate heat exchanger										
Water volume	l	44	44	47	53	73	73	73	84	84	84	84
Max. water-side operating pressure without hydraulic module	kPa	1000	1000	1000	1000	1000	1000	1000	1000	1000	1000	1000
Hydraulic module (option)		Pump, Victaulic screen filter, relief valve, water and air vent valve, pressure sensors										
Pump		Centrifugal pump, monocell, 48.3 r/s, low or high pressure (as required), single or dual (as required)										
Expansion tank volume (option)	l	80	80	80	80	80	80	80	80	80	80	80
Buffer tank volume (option)	l	550	550	550	550	550	550	550	550	550	550	550
Max. water-side operating pressure with hydraulic module	kPa	400	400	400	400	400	400	400	400	400	400	400
Water connections with or without hydraulic module		Victaulic® type										
Connections	inches	4	4	4	4	5	5	5	5	5	5	5
External diameter	mm	114,3	114,3	114,3	114,3	139,7	139,7	139,7	139,7	139,7	139,7	139,7
Casing paintwork		Colour code RAL 7035										

(4) Values are guidelines only. Refer to the unit name plate.

PHYSICAL PROPERTIES, SIZES 170R TO 410R

30RBP		170R	190R	210R	230R	270R	310R	340R	380R	410R	
Cooling											
Standard unit Full load performances* CA1	Nominal capacity	kW	172	187	206	227	270	311	346	380	416
	EER	kW/kW	3,20	3,36	3,21	3,16	3,03	3,15	3,09	3,14	3,09
Seasonal energy efficiency**	SEER_{12/7°C} Comfort low temp.	kWh/kWh	4,82	5,02	4,84	4,94	4,79	5,25	5,15	5,09	5,11
	ηs cool_{12/7°C}	%	190	198	191	195	189	207	203	201	201
	SEER_{23/18°C} Comfort medium temp.	kWh/kWh	5,98	6,23	5,93	5,99	5,69	6,35	6,17	6,13	6,07
	SEPR _{12/7°C} Process high temp.	kWh/kWh	6,30	6,61	6,42	6,13	5,97	6,30	6,24	6,36	6,31
	SEPR_{2/-8°C} Process medium temp.	kWh/kWh	3,48	3,60	3,54	3,41	3,41	3,51	3,56	3,50	3,57
Part Load integrated values	IPLV.IP	Btu/Wh	18,42	19,72	18,25	18,94	18,49	19,31	19,18	18,97	18,87
Part Load integrated values	IPLV.SI	kW/kW	5,37	5,73	5,31	5,51	5,37	5,61	5,56	5,50	5,47
Unit + option 15LS Full load performances* CA2	Nominal capacity	kW	165	180	198	217	256	296	328	361	394
	EER	kW/kW	3,05	3,24	3,04	3,02	2,81	2,96	2,85	2,94	2,86
Seasonal energy efficiency**	SEER_{12/7°C} Comfort low temp.	kWh/kWh	4,80	5,00	4,81	4,90	4,73	5,20	5,08	5,11	5,09
	ηs cool_{12/7°C}	%	189	197	189	193	186	205	200	201	201
	SEER_{23/18°C} Comfort medium temp.	kWh/kWh	5,95	6,18	5,83	5,98	5,58	6,36	6,13	6,03	5,95
	SEPR _{12/7°C} Process high temp.	kWh/kWh	6,24	6,66	6,49	6,12	5,88	6,34	6,25	6,42	6,34
	SEPR_{2/-8°C} Process medium temp.	kWh/kWh	3,37	3,45	3,39	3,28	3,28	3,39	3,43	3,39	3,44
Sound levels											
Standard unit											
Sound power ⁽¹⁾		dB(A)	91,0	90,5	90,5	92,0	92,0	93,0	93,0	93,5	93,5
Sound pressure at 10 m ⁽²⁾		dB(A)	58,5	58,5	58,5	60,0	60,0	60,5	60,5	61,0	61,5
Unit + option 15LS⁽³⁾											
Sound power ⁽¹⁾		dB(A)	85,5	85,5	85,5	86,5	86,5	87,5	87,5	88,0	88,0
Sound pressure at 10 m ⁽²⁾		dB(A)	53,0	53,5	53,5	54,5	54,5	55,5	55,5	55,5	56,0
Dimensions - standard unit											
Standard unit											
Length		mm	2410	2410	2410	2410	2410	3604	3604	3604	3604
Width		mm	2253	2253	2253	2253	2253	2253	2253	2253	2253
Height		mm	2324	2324	2324	2324	2324	2324	2324	2324	2324
Unit + option 307⁽³⁾											
Length		mm	3604	3604	3604	3604	3604	4798	4798	4798	4798
Operating weight⁽⁴⁾											
Standard unit		kg	1349	1397	1397	1521	1556	1995	2049	2211	2269
Unit + option 15LS ⁽³⁾		kg	1432	1480	1480	1630	1665	2122	2176	2356	2414
Unit + option 15LS + option 116W ⁽³⁾		kg	1567	1615	1615	1765	1811	2271	2371	2551	2609
Unit + option 15LS + option 116W + option 307 ⁽³⁾		kg	2550	2598	2598	2748	2794	3258	3357	3537	3594

- * In accordance with EN14511-3:2018.
 ** In accordance with EN14825:2018, average climate conditions
- CA1 Cooling mode conditions: evaporator water inlet/outlet temperature 12 °C/7 °C, outdoor air temperature 35 °C, evaporator fouling factor 0 m². kW/W
- CA2 Cooling mode conditions: evaporator water inlet/outlet temperature 23 °C/18 °C, outdoor air temperature 35 °C, evaporator fouling factor 0 m². kW/W
- ηs cool_{12/7°C} & SEER_{12/7°C}** Values in bold comply with Ecodesign Regulation (EU) No. 2016/2281 for Comfort applications
SEER_{23/18°C} Values in bold comply with Ecodesign Regulation (EU) No. 2016/2281 for Comfort applications
SEPR_{12/7°C} Values calculated in accordance with EN 14825:2016
SEPR_{2/-8°C} Values calculated in accordance with EN 14825:2016
 IPLV.SI Calculated as per AHRI standard 551-591.
- (1) In dB ref=10⁻¹² W, (A) weighting. Declared dual-number noise emission value in accordance with ISO 4871 with an uncertainty of +/-3 dB(A). Measured in accordance with ISO 9614-1 and certified by Eurovent.
 (2) In dB ref 20 μPa, (A) weighting. Declared dual-number noise emission value in accordance with ISO 4871 with an uncertainty of +/-3 dB(A). For information, calculated from the sound power Lw(A).
 (3) Options: 15LS = Very low noise level, 116W = Variable-speed high pressure dual-pump hydraulic module, 307 = Water buffer tank module
 (4) Values are guidelines only. Refer to the unit name plate.



Eurovent certified values

PHYSICAL PROPERTIES, SIZES 170R TO 410R

30RBP		170R	190R	210R	230R	270R	310R	340R	380R	410R
Compressors		Hermetic Scroll 48.3 r/s								
Circuit A		1	1	1	2	2	2	2	3	3
Circuit B		2	2	2	2	2	3	3	3	3
Number of power stages		3	3	3	4	4	5	5	6	6
Unit PED category		III	III	III	III	III	III	III	III	III
Refrigerant⁽⁴⁾		R32 / A2L /GWP= 675 as per AR4								
Circuit A	kg	6,1	9,3	9,3	10,9	11,3	11,9	12,7	17,3	18,0
	tCO ₂ e	4,1	6,3	6,3	7,4	7,6	8,0	8,6	11,7	12,2
Circuit B	kg	10,9	10,9	10,9	10,9	11,3	16,7	17,5	17,3	18,0
	tCO ₂ e	7,4	7,4	7,4	7,4	7,6	11,3	11,8	11,7	12,2
Oil										
Circuit A	l	6,6	6,6	6,60	13,2	13,2	13,2	13,2	19,8	19,8
Circuit B	l	13,2	13,2	13,2	13,2	13,2	19,8	19,8	19,8	19,8
Capacity control		SmartVu™								
Minimum capacity	%	33	33	25	25	25	20	20	17	17
Condenser		All-aluminium micro-channel coils (MCHE)								
Fans		Axial Flying Bird 6 with rotating impeller								
Standard unit										
Quantity		3	4	4	4	4	5	5	6	6
Maximum total air flow	l/s	240	320	320	320	320	400	400	480	480
Maximum rotation speed	r/s	16	16	16	16	16	16	16	16	16
Evaporator		Direct expansion brazed-plate heat exchanger								
Water volume	l	15	15	15	19	27	27	35	44	44
Max. water-side operating pressure without hydraulic module	kPa	1000	1000	1000	1000	1000	1000	1000	1000	1000
Hydraulic module (option)		Pump, Victaulic screen filter, relief valve, water and air vent valve, pressure sensors								
Pump		Centrifugal pump, monocell, 48.3 r/s, low or high pressure (as required), single or dual (as required)								
Expansion tank volume (option)	l	50	50	50	50	50	80	80	80	80
Buffer tank volume (option)	l	550	550	550	550	550	550	550	550	550
Max. water-side operating pressure with hydraulic module	kPa	400	400	400	400	400	400	400	400	400
Water connections with or without hydraulic module		Victaulic® type								
Connections	inches	3	3	3	3	3	4	4	4	4
External diameter	mm	88,9	88,9	88,9	88,9	88,9	114,3	114,3	114,3	114,3
Casing paintwork		Colour code RAL 7035								

(4) Values are guidelines only. Refer to the unit name plate.

PHYSICAL PROPERTIES, SIZES 450R TO 950R

30RBP		450R	480R	550R	610R	670R	720R	770R	800R	870R	950R	
Cooling												
Standard unit Full load performances* CA1	Nominal capacity	kW	451	484	553	616	677	726	782	807	882	944
	EER	kW/kWh	3,14	3,09	3,08	3,15	3,14	3,06	3,07	3,04	3,00	2,92
Seasonal energy efficiency**	SEER_{12/7°C} Comfort low temp.	kWh/kWh	5,28	5,24	5,29	5,32	5,32	5,20	5,33	5,30	5,31	5,18
	$\eta_{s\ cool,12/7°C}$	%	208	207	209	210	210	205	210	209	209	204
	SEER_{23/18°C} Comfort medium temp.	kWh/kWh	6,33	6,23	6,32	6,56	6,51	6,28	6,54	6,47	6,56	6,32
	SEPR _{12/7°C} Process high temp.	kWh/kWh	6,41	6,32	6,27	6,27	6,33	6,14	6,25	6,18	6,07	5,88
	SEPR_{-2/-8°C} Process medium temp.	kWh/kWh	3,55	3,55	3,55	3,91	3,82	3,83	3,79	3,80	3,74	3,74
Part Load integrated values	IPLV.IP	Btu/Wh	19,38	19,24	19,21	19,65	19,48	19,04	19,58	19,45	19,35	18,94
Part Load integrated values	IPLV.SI	kW/kWh	5,63	5,59	5,58	5,69	5,64	5,52	5,68	5,65	5,62	5,51
Unit + option 15LS Full load performances* CA2	Nominal capacity	kW	428	458	523	586	645	688	743	765	836	890
	EER	kW/kWh	2,93	2,85	2,85	2,94	2,93	2,83	2,85	2,81	2,77	2,66
Seasonal energy efficiency**	SEER_{12/7°C} Comfort low temp.	kWh/kWh	5,37	5,30	5,21	5,24	5,35	5,20	5,43	5,38	5,22	5,07
	$\eta_{s\ cool,12/7°C}$	%	212	209	205	207	211	205	214	212	206	200
	SEER_{23/18°C} Comfort medium temp.	kWh/kWh	6,25	6,12	6,25	6,41	6,59	6,33	6,69	6,60	6,34	6,06
	SEPR _{12/7°C} Process high temp.	kWh/kWh	6,38	6,29	6,24	6,26	6,32	6,11	6,17	6,10	6,03	5,79
	SEPR_{-2/-8°C} Process medium temp.	kWh/kWh	3,43	3,44	3,43	3,91	3,82	3,83	3,80	3,80	3,73	3,73
Sound levels												
Standard unit												
Sound power ⁽¹⁾	dB(A)	94,0	94,0	94,5	97,5	97,5	98,0	98,0	98,5	98,5	99,0	
Sound pressure at 10 m ⁽²⁾	dB(A)	61,5	61,5	62,0	65,0	65,0	66,0	65,0	66,0	66,0	66,5	
Unit + option 15LS⁽³⁾												
Sound power ⁽¹⁾	dB(A)	88,5	88,5	89,0	92,5	92,5	93,0	93,0	93,5	93,5	94,5	
Sound pressure at 10 m ⁽²⁾	dB(A)	56,0	56,5	57,0	60,5	60,0	60,5	60,0	61,0	60,5	61,5	
Dimensions - standard unit												
Standard unit												
Length	mm	4798	4798	4798	5992	5992	5992	7186	7186	7186	7186	
Width	mm	2253	2253	2253	2253	2253	2253	2253	2253	2253	2253	
Height	mm	2324	2324	2324	2324	2324	2324	2324	2324	2324	2324	
Unit + option 307⁽³⁾												
Length	mm	5992	5992	5992	7186	7186	7186	8380	8380	8380	8380	
Operating weight⁽⁴⁾												
Standard unit	kg	2697	2722	2927	3265	3511	3511	4042	4042	4291	4291	
Unit + option 15LS ⁽³⁾	kg	2860	2885	3108	3398	3664	3664	4216	4216	4485	4485	
Unit + option 15LS + option 116W ⁽³⁾	kg	3094	3119	3379	3708	3974	3974	4605	4605	4874	4874	
Unit + option 15LS + option 116W + option 307 ⁽³⁾	kg	4086	4111	4371	4715	4981	4981	5626	5626	5895	5895	

* In accordance with EN14511-3:2018.

** In accordance with EN14825:2018, average climate conditions

CA1 Cooling mode conditions: evaporator water inlet/outlet temperature 12 °C/7 °C, outdoor air temperature 35 °C, evaporator fouling factor 0 m². k/W

CA2 Cooling mode conditions: evaporator water inlet/outlet temperature 23 °C/18 °C, outdoor air temperature 35 °C, evaporator fouling factor 0 m². k/W

$\eta_{s\ cool,12/7°C}$ & SEER_{12/7°C} **Values in bold comply with Ecodesign Regulation (EU) No. 2016/2281 for Comfort applications**

SEER_{23/18°C} **Values in bold comply with Ecodesign Regulation (EU) No. 2016/2281 for Comfort applications**

SEPR_{12/7°C} Values calculated in accordance with EN 14825:2016

SEPR_{-2/-8°C} **Values calculated in accordance with EN 14825:2016**

IPLV.SI Calculated as per AHRI standard 551-591.

(1) In dB ref=10⁻¹² W, (A) weighting. Declared dual-number noise emission value in accordance with ISO 4871 with an uncertainty of +/-3 dB(A). Measured in accordance with ISO 9614-1 and certified by Eurovent.

(2) In dB ref 20 µPa, (A) weighting. Declared dual-number noise emission value in accordance with ISO 4871 with an uncertainty of +/-3 dB(A). For information, calculated from the sound power Lw(A).

(3) Options: 15LS = Very low noise level, 116W = Variable-speed high pressure dual-pump hydraulic module, 307 = Water buffer tank module

(4) Values are guidelines only. Refer to the unit name plate.



Eurovent certified values

PHYSICAL PROPERTIES, SIZES 450R TO 950R

30RBP		450R	480R	550R	610R	670R	720R	770R	800R	870R	950R
Compressors		Hermetic Scroll 48.3 r/s									
Circuit A		3	3	4	2	3	3	3	3	4	4
Circuit B		4	4	4	3	3	3	4	4	4	4
Number of power stages		7	7	8	5	6	6	7	7	8	8
Unit PED category		IV	IV	IV	III	III	III	IV	IV	IV	IV
Refrigerant⁽⁴⁾		R32 / A2L /GWP= 675 as per AR4									
Circuit A	kg	18,3	18,6	22,8	21,8	23,2	23,2	24,9	24,9	29,5	29,5
	tCO ₂ e	12,4	12,6	15,4	14,7	15,7	15,7	16,8	16,8	19,9	19,9
Circuit B	kg	21,9	22,3	22,8	23,2	23,2	23,2	29,5	29,5	29,5	29,5
	tCO ₂ e	14,8	15,1	15,4	15,7	15,7	15,7	19,9	19,9	19,9	19,9
Oil											
Circuit A	l	19,8	19,8	26,4	13,2	19,8	19,8	19,8	19,8	26,4	26,4
Circuit B	l	26,4	26,4	26,4	19,8	19,8	19,8	26,4	26,4	26,4	26,4
Capacity control		SmartVu™									
Minimum capacity	%	14	14	13	20	17	17	14	14	13	13
Condenser		All-aluminium micro-channel coils (MCHE)									
Fans		Axial Flying Bird 6 with rotating impeller									
Standard unit											
Quantity		7	7	8	9	10	10	11	11	12	12
Maximum total air flow	l/s	560	560	640	720	800	800	880	880	960	960
Maximum rotation speed	r/s	16	16	16	16	16	16	16	16	16	16
Evaporator		Direct expansion brazed-plate heat exchanger									
Water volume	l	44	47	53	73	73	73	84	84	84	84
Max. water-side operating pressure without hydraulic module	kPa	1000	1000	1000	1000	1000	1000	1000	1000	1000	1000
Hydraulic module (option)		Pump, Victaulic screen filter, relief valve, water and air vent valve, pressure sensors									
Pump		Centrifugal pump, monocell, 48.3 r/s, low or high pressure (as required), single or dual (as required)									
Expansion tank volume (option)	l	80	80	80	80	80	80	80	80	80	80
Buffer tank volume (option)	l	550	550	550	550	550	550	550	550	550	550
Max. water-side operating pressure with hydraulic module	kPa	400	400	400	400	400	400	400	400	400	400
Water connections with or without hydraulic module		Victaulic® type									
Connections	inches	4	4	4	5	5	5	5	5	5	5
External diameter	mm	114,3	114,3	114,3	139,7	139,7	139,7	139,7	139,7	139,7	139,7
Casing paintwork		Colour code RAL 7035									

(4) Values are guidelines only. Refer to the unit name plate.

PHYSICAL DATA, SIZES 165R TO 520R

30RQ			165R	180R	210R	230R	270R	310R	330R	370R	400R	430R	470R	520R	
Heating															
Standard unit Full load performances*	HA1	Nominal capacity	kW	178	197	237	256	275	317	336	387	406	441	467	537
		COP	kW/kW	3,88	3,80	3,84	3,84	3,82	3,82	3,81	3,82	3,81	3,80	3,73	3,80
	HA2	Nominal capacity	kW	173	192	231	250	269	310	329	378	397	431	458	526
		COP	kW/kW	3,16	3,09	3,14	3,12	3,11	3,10	3,09	3,10	3,09	3,10	3,03	3,09
Seasonal energy efficiency**	HA1	SCOP _{30/35°C}	kWh/kWh	3,44	3,45	3,39	3,47	3,48	3,57	3,58	3,55	3,57	3,54	3,53	3,57
		η_s heat _{30/35°C}	%	135	135	133	136	136	140	140	139	140	139	138	140
		P_{rated}	kW	139	155	186	200	217	250	266	305	321	349	371	400
Cooling															
Standard unit Full load performances*	CA1	Nominal capacity	kW	164	181	215	236	254	302	324	362	381	413	439	500
		EER	kW/kW	2,87	2,73	2,86	2,81	2,76	2,85	2,80	2,82	2,76	2,82	2,74	2,74
Seasonal energy efficiency**		SEER _{12/7°C} Comfort low temp.	kWh/kWh	3,91	3,81	3,88	3,88	3,84	4,15	4,21	4,14	4,07	4,04	4,03	4,05
		SEPR _{12/7°C} Process high temp.	kWh/kWh	4,62	4,47	4,54	4,48	4,46	4,69	4,64	4,77	4,70	4,76	4,66	4,70
Unit + option 15LS Full load performances*	CA1	Nominal capacity	kW	155	171	204	223	239	285	305	341	358	389	414	470
		EER	kW/kW	2,73	2,55	2,73	2,63	2,56	2,66	2,59	2,64	2,57	2,64	2,55	2,55
Seasonal energy efficiency**		SEER _{12/7°C} Comfort low temp.	kWh/kWh	4,17	4,01	4,18	4,08	4,04	4,48	4,50	4,46	4,33	4,44	4,38	4,32
		SEPR _{12/7°C} Process high temp.	kWh/kWh	4,68	4,51	4,64	4,52	4,50	4,83	4,76	4,93	4,79	4,94	4,82	4,83
Sound levels															
Standard unit															
		Sound power ⁽¹⁾	dB(A)	90,5	91,0	91,5	92,0	92,0	93,0	93,5	94,0	94,0	94,5	94,5	95,0
		Sound pressure at 10 m ⁽²⁾	dB(A)	58,0	58,5	59,5	60,0	60,0	60,5	61,0	61,5	61,5	62,0	62,0	62,5
Unit + option 15LS⁽³⁾															
		Sound power ⁽¹⁾	dB(A)	85,0	86,0	86,5	87,0	87,0	88,0	88,0	89,0	89,0	89,5	90,0	90,0
		Sound pressure at 10 m ⁽²⁾	dB(A)	53,0	53,5	54,0	54,5	54,5	55,5	55,5	56,5	56,5	57,0	57,5	57,5
Dimensions - standard unit															
Standard unit															
		Length	mm	2410	2410	2410	2410	2410	3604	3604	3604	3604	4798	4798	4798
		Width	mm	2253	2253	2253	2253	2253	2253	2253	2253	2253	2253	2253	2253
		Height	mm	2324	2324	2324	2324	2324	2324	2324	2324	2324	2324	2324	2324
Unit + option 307⁽³⁾															
		Length	mm	3604	3604	3604	3604	3604	4798	4798	4798	4798	5992	5992	5992
Operating weight⁽⁴⁾															
		Standard unit	kg	1569	1575	1784	1811	1817	2394	2452	2672	2678	3154	3180	3430
		Unit + option 15LS ⁽³⁾	kg	1652	1658	1892	1920	1926	2520	2579	2817	2823	3317	3343	3611
		Unit + option 15LS + option 116W ⁽³⁾	kg	1787	1793	2039	2067	2073	2715	2774	3051	3057	3551	3614	3882
		Unit + option 15LS + option 116W + option 307 ⁽³⁾	kg	2771	2777	3022	3049	3055	3725	3783	4060	4066	4551	4614	4882

- * In accordance with EN14511-3:2018.
- ** In accordance with EN14825:2018, average climate conditions
- HA1 Heating mode conditions: Water type heat exchanger water inlet/outlet temperature 30 °C/35 °C, outside air temperature tdb/twb = 7 °C db/6 °C wb, evaporator fouling factor 0 m². kW
- HA2 Heating mode conditions: Water type heat exchanger water inlet/outlet temperature 40 °C/45 °C, outside air temperature tdb/twb = 7 °C db/6 °C wb, evaporator fouling factor 0 m². kW
- CA1 Cooling mode conditions: evaporator water inlet/outlet temperature 12 °C/7 °C, outdoor air temperature 35 °C, evaporator fouling factor 0 m². kW
- η_s heat_{30/35°C} & SCOP_{30/35°C}** Values in bold comply with Ecodesign Regulation (EU) No. 813/2013 for Heating applications
- SEER_{12/7°C} & SEPR_{12/7°C} Applicable Ecodesign regulation (EU) No. 2016/2281.
- (1) In dB ref=10⁻¹² W, (A) weighting. Declared dual-number noise emission value in accordance with ISO 4871 with an uncertainty of +/-3 dB(A). Measured in accordance with ISO 9614-1 and certified by Eurovent. Cooling mode.
- (2) In dB ref 20 μPa, (A) weighting. Declared dual-number noise emission value in accordance with ISO 4871 with an uncertainty of +/-3 dB(A). For information, calculated from the sound power Lw(A).
- (3) Options: 15LS = Very low noise level, 116W = Variable-speed high pressure dual-pump hydraulic module, 307 = Water buffer tank module,
- (4) Values are guidelines only. Refer to the unit name plate.



Eurovent certified values

PHYSICAL DATA, SIZES 165R TO 520R

30RQ		165R	180R	210R	230R	270R	310R	330R	370R	400R	430R	470R	520R
Compressors		Hermetic Scroll 48.3 r/s											
Circuit A/C		1	1	2	2	2	2	2	2	2	3	3	4
Circuit B/D		2	2	2	2	2	3	3	4	4	4	4	4
Number of power stages		3	3	4	4	4	5	5	6	6	7	7	8
Unit PED category		III	III	III	III	III	III	IV	IV	IV	IV	IV	IV
Refrigerant⁽⁴⁾		R32 / A2L /GWP= 675 as per AR4											
Circuit A/C	kg	10,5	10,5	16,0	16,0	16,0	16,0	18,0	18,0	18,0	29,0	29,0	35,0
	tCO ₂ e	7,1	7,1	10,8	10,8	10,8	10,8	12,2	12,2	12,2	19,6	19,6	23,6
Circuit B/D	kg	16,0	16,0	16,0	16,0	16,0	28,5	28,5	34,0	34,0	34,5	35,0	35,0
	tCO ₂ e	10,8	10,8	10,8	10,8	10,8	19,2	19,2	23,0	23,0	23,3	23,6	23,6
Oil													
Circuit A/C		6,6	6,6	13,2	13,2	13,2	13,2	13,2	13,2	13,2	22,8	22,8	30,4
Circuit B/D		13,2	13,2	13,2	13,2	13,2	22,8	22,8	30,4	30,4	30,4	30,4	30,4
Capacity control		SmartVu™											
Minimum capacity	%	33	33	25	25	25	20	20	17	17	14	14	13
Condenser		Grooved copper tubes and aluminium fins											
Fans		Axial Flying Bird 6 with rotating impeller											
Standard unit													
Quantity		3	3	4	4	4	5	5	6	6	7	7	8
Maximum total air flow	l/s	14460	14460	19280	19280	19280	24100	24100	28920	28920	33740	33740	38560
Maximum rotation speed	r/s	16	16	16	16	16	16	16	16	16	16	16	16
Evaporator		Direct expansion brazed-plate heat exchanger											
Water volume	l	16,2	16,2	16,2	20,7	20,7	38,7	48,6	48,6	48,6	48,6	52,2	58,5
Max. water-side operating pressure without hydraulic module	kPa	1000	1000	1000	1000	1000	1000	1000	1000	1000	1000	1000	1000
Hydraulic module (option)		Pump, Victaulic screen filter, relief valve, water and air vent valve, pressure sensors											
Pump		Centrifugal pump, monocell, 48.3 r/s, low or high pressure (as required), single or dual (as required)											
Expansion tank volume (option)	l	50	50	50	50	50	80	80	80	80	80	80	80
Buffer tank volume (option)	l	550	550	550	550	550	550	550	550	550	550	550	550
Max. water-side operating pressure with hydraulic module	kPa	400	400	400	400	400	400	400	400	400	400	400	400
Water connections with or without hydraulic module		Victaulic® type											
Connections	inches	3	3	3	3	3	4	4	4	4	4	4	4
External diameter	mm	88,5	88,6	88,7	88,8	88,9	114,3	114,4	114,5	114,6	114,7	114,8	114,9
Casing paintwork		Colour code RAL 7035											

(4) Values are guidelines only. Refer to the unit name plate.

PHYSICAL DATA, SIZES 165R TO 520R

30RQP			165R	180R	210R	230R	270R	310R	330R	370R	400R	430R	470R	520R	
Heating															
Standard unit Full load performances*	HA1	Nominal capacity	kW	178	197	237	256	275	317	336	387	406	441	467	537
		COP	kW/kW	3,88	3,80	3,84	3,84	3,82	3,82	3,81	3,82	3,81	3,80	3,73	3,80
	HA2	Nominal capacity	kW	173	192	231	250	269	310	329	378	397	431	458	526
		COP	kW/kW	3,16	3,09	3,14	3,13	3,11	3,10	3,09	3,10	3,09	3,10	3,03	3,10
Seasonal energy efficiency**	HA1	SCOP _{30/35°C}	kWh/kWh	3,67	3,66	3,74	3,77	3,80	3,87	3,86	3,90	3,91	3,92	3,89	3,96
		ηs heat _{30/35°C}	%	144	143	147	148	149	152	151	153	153	154	153	155
		P _{rated}	kW	138	155	185	200	216	250	265	305	320	348	370	399
Cooling															
Standard unit Full load performances*	CA1	Nominal capacity	kW	164	181	215	236	254	302	324	362	381	413	439	500
		EER	kW/kW	2,87	2,72	2,86	2,80	2,76	2,85	2,80	2,82	2,76	2,81	2,74	2,73
Seasonal energy efficiency**		SEER _{12/7°C} Comfort low temp.	kWh/kWh	4,41	4,23	4,48	4,41	4,34	4,78	4,81	4,88	4,87	4,81	4,75	4,81
		SEPR _{12/7°C} Process high temp.	kWh/kWh	5,47	5,23	5,41	5,23	5,15	5,49	5,34	5,60	5,40	5,60	5,43	5,47
Unit + option 15LS Full load performances*	CA1	Nominal capacity	kW	155	171	204	223	239	285	305	341	358	389	414	470
		EER	kW/kW	2,73	2,55	2,69	2,61	2,56	2,66	2,59	2,63	2,56	2,64	2,55	2,54
Seasonal energy efficiency**		SEER _{12/7°C} Comfort low temp.	kWh/kWh	4,38	4,23	4,41	4,37	4,35	4,73	4,76	4,91	4,78	4,94	4,86	4,75
		SEPR _{12/7°C} Process high temp.	kWh/kWh	5,39	5,17	5,23	5,12	5,10	5,51	5,37	5,62	5,39	5,65	5,47	5,52
Sound levels															
Standard unit															
		Sound power ⁽¹⁾	dB(A)	90,5	91,0	91,5	92,0	92,0	93,0	93,5	94,0	94,0	94,5	94,5	95,0
		Sound pressure at 10 m ⁽²⁾	dB(A)	58,0	58,5	59,5	60,0	60,0	60,5	61,0	61,5	61,5	62,0	62,0	62,5
Unit + option 15LS⁽³⁾															
		Sound power ⁽¹⁾	dB(A)	85,0	86,0	86,5	87,0	87,0	88,0	88,0	89,0	89,0	89,5	90,0	90,0
		Sound pressure at 10 m ⁽²⁾	dB(A)	53,0	53,5	54,0	54,5	54,5	55,5	55,5	56,5	56,5	57,0	57,5	57,5
Dimensions - standard unit															
Standard unit															
		Length	mm	2410	2410	2410	2410	2410	3604	3604	3604	3604	4798	4798	4798
		Width	mm	2253	2253	2253	2253	2253	2253	2253	2253	2253	2253	2253	2253
		Height	mm	2324	2324	2324	2324	2324	2324	2324	2324	2324	2324	2324	2324
Unit + option 307⁽³⁾															
		Length	mm	3604	3604	3604	3604	3604	4798	4798	4798	4798	5992	5992	5992
Operating weight⁽⁴⁾															
		Standard unit	kg	1569	1575	1784	1811	1817	2394	2452	2672	2678	3154	3180	3430
		Unit + option 15LS ⁽³⁾	kg	1652	1658	1892	1920	1926	2520	2579	2817	2823	3317	3343	3611
		Unit + option 15LS + option 116W ⁽³⁾	kg	1787	1793	2039	2067	2073	2715	2774	3051	3057	3551	3614	3882
		Unit + option 15LS + option 116W + option 307 ⁽³⁾	kg	2771	2777	3022	3049	3055	3725	3783	4060	4066	4551	4614	4882

* In accordance with EN14511-3:2018.

** In accordance with EN14825:2018, average climate conditions

HA1 Heating mode conditions: Water type heat exchanger water inlet/outlet temperature 30 °C/35 °C, outside air temperature tdb/twb = 7 °C db/6 °C wb, evaporator fouling factor 0 m². kW/W

HA2 Heating mode conditions: Water type heat exchanger water inlet/outlet temperature 40 °C/45 °C, outside air temperature tdb/twb = 7 °C db/6 °C wb, evaporator fouling factor 0 m². kW/W

CA1 Cooling mode conditions: evaporator water inlet/outlet temperature 12 °C/7 °C, outdoor air temperature 35 °C, evaporator fouling factor 0 m². kW/W

ηs heat_{30/35°C} & SCOP_{30/35°C} Values in bold comply with Ecodesign Regulation (EU) No. 813/2013 for Heating applications

SEER_{12/7°C} & SEPR_{12/7°C} Applicable Ecodesign regulation (EU) No. 2016/2281.

(1) In dB ref=10⁻¹² W, (A) weighting. Declared dual-number noise emission value in accordance with ISO 4871 with an uncertainty of +/-3 dB(A). Measured in accordance with ISO 9614-1 and certified by Eurovent. Cooling mode.

(2) In dB ref 20 μPa, (A) weighting. Declared dual-number noise emission value in accordance with ISO 4871 with an uncertainty of +/-3 dB(A). For information, calculated from the sound power Lw(A).

(3) Options: 15LS = Very low noise level, 116W = Variable-speed high pressure dual-pump hydraulic module, 307 = Water buffer tank module,

(4) Values are guidelines only. Refer to the unit name plate.



Eurovent certified values

PHYSICAL DATA, SIZES 165R TO 520R

30RQP		165R	180R	210R	230R	270R	310R	330R	370R	400R	430R	470R	520R
Compressors		Hermetic Scroll 48.3 r/s											
Circuit A/C		1	1	2	2	2	2	2	2	2	3	3	4
Circuit B/D		2	2	2	2	2	3	3	4	4	4	4	4
Number of power stages		3	3	4	4	4	5	5	6	6	7	7	8
Unit PED category		III	III	III	III	III	III	IV	IV	IV	IV	IV	IV
Refrigerant⁽⁴⁾		R32 / A2L /GWP= 675 as per AR4											
Circuit A/C	kg	10,5	10,5	16,0	16,0	16,0	16,0	18,0	18,0	18,0	29,0	29,0	35,0
	tCO ₂ e	7,1	7,1	10,8	10,8	10,8	10,8	12,2	12,2	12,2	19,6	19,6	23,6
Circuit B/D	kg	16,0	16,0	16,0	16,0	16,0	28,5	28,5	34,0	34,0	34,5	35,0	35,0
	tCO ₂ e	10,8	10,8	10,8	10,8	10,8	19,2	19,2	23,0	23,0	23,3	23,6	23,6
Oil													
Circuit A/C	l	6,6	6,6	13,2	13,2	13,2	13,2	13,2	13,2	13,2	22,8	22,8	30,4
Circuit B/D	l	13,2	13,2	13,2	13,2	13,2	22,8	22,8	30,4	30,4	30,4	30,4	30,4
Capacity control		SmartVu™											
Minimum capacity	%	33	33	25	25	25	20	20	17	17	14	14	13
Condenser		Grooved copper tubes and aluminium fins											
Fans		Axial Flying Bird 6 with rotating impeller											
Standard unit													
Quantity		3	3	4	4	4	5	5	6	6	7	7	8
Maximum total air flow	l/s	14460	14460	19280	19280	19280	24100	24100	28920	28920	33740	33740	38560
Maximum rotation speed	r/s	16	16	16	16	16	16	16	16	16	16	16	16
Evaporator		Direct expansion brazed-plate heat exchanger											
Water volume	l	16,2	16,2	16,2	20,7	20,7	38,7	48,6	48,6	48,6	48,6	52,2	58,5
Max. water-side operating pressure without hydraulic module	kPa	1000	1000	1000	1000	1000	1000	1000	1000	1000	1000	1000	1000
Hydraulic module (option)		Pump, Victaulic screen filter, relief valve, water and air vent valve, pressure sensors											
Pump		Centrifugal pump, monocell, 48.3 r/s, low or high pressure (as required), single or dual (as required)											
Expansion tank volume (option)	l	50	50	50	50	50	80	80	80	80	80	80	80
Buffer tank volume (option)	l	550	550	550	550	550	550	550	550	550	550	550	550
Max. water-side operating pressure with hydraulic module	kPa	400	400	400	400	400	400	400	400	400	400	400	400
Water connections with or without hydraulic module		Victaulic® type											
Connections Module 1 / Module 2 ^(a)	inches	3	3	3	3	3	4	4	4	4	4	4	4
External diameter Module 1 / Module 2 ^(a)	mm	88,5	88,6	88,7	88,8	88,9	114,3	114,4	114,5	114,6	114,7	114,8	114,9
Casing paintwork		Colour code RAL 7035											

(4) Values are guidelines only. Refer to the unit name plate.

(a) Modules 1 and 2 only relate to sizes 620R to 1040R.

PHYSICAL DATA, SIZES 620R TO 1040R

30RQP		620R	660R	740R	800R	860R	940R	1040R		
Heating										
Standard unit Full load performances*	HA1	Nominal capacity	kW	635	673	774	812	883	935	1075
		COP	kW/kW	3,82	3,81	3,82	3,81	3,80	3,73	3,80
	HA2	Nominal capacity	kW	620	658	757	795	863	915	1052
		COP	kW/kW	3,10	3,09	3,10	3,09	3,10	3,03	3,10
Seasonal energy efficiency**	HA1	SCOP _{30/35°C}	kWh/kWh	3,87	3,86	3,90	3,91	3,92	3,89	3,96
		η_s heat _{30/35°C}	%	152	151	153	153	154	153	155
		P_{rated}	kW	499	530	609	641	696	741	798
Cooling										
Standard unit Full load performances*	CA1	Nominal capacity	kW	604	648	723	761	825	878	999
		EER	kW/kW	2,85	2,80	2,82	2,76	2,81	2,74	2,73
Seasonal energy efficiency**		SEER _{12/7°C} Comfort low temp.	kWh/kWh	4,78	4,81	4,88	4,87	4,81	4,75	4,81
		SEPR _{12/7°C} Process high temp.	kWh/kWh	5,49	5,34	5,60	5,40	5,60	5,43	5,47
Unit + option 15LS Full load performances*	CA1	Nominal capacity	kW	569	610	682	716	778	827	941
		EER	kW/kW	2,66	2,59	2,63	2,56	2,64	2,55	2,54
Seasonal energy efficiency**		SEER _{12/7°C} Comfort low temp.	kWh/kWh	4,73	4,76	4,91	4,78	4,94	4,86	4,75
		SEPR _{12/7°C} Process high temp.	kWh/kWh	5,51	5,37	5,62	5,39	5,65	5,47	5,52
Sound levels										
Standard unit										
		Sound power ⁽¹⁾	dB(A)	96,0	96,5	97,0	97,0	97,5	97,5	98,0
		Sound pressure at 10 m ⁽²⁾	dB(A)	63,5	64,0	64,5	64,5	65,0	65,0	65,5
Unit + option 15LS⁽³⁾										
		Sound power ⁽¹⁾	dB(A)	91,0	91,0	92,0	92,0	92,5	93,0	93,0
		Sound pressure at 10 m ⁽²⁾	dB(A)	58,5	58,5	59,5	59,5	60,0	60,5	60,5
Dimensions - standard unit										
Standard unit										
		Length	mm	7708	7708	7708	7708	10096	10096	10096
		Width	mm	2253	2253	2253	2253	2253	2253	2253
		Height	mm	2324	2324	2324	2324	2324	2324	2324
Unit + option 307⁽³⁾										
		Length	mm	-	-	-	-	-	-	-
Operating weight⁽⁴⁾										
		Standard unit	kg	4787	4905	5344	5356	6308	6360	6859
		Unit + option 15LS ⁽³⁾	kg	5041	5158	5634	5646	6634	6686	7222
		Unit + option 15LS + option 116W ⁽³⁾	kg	5430	5548	6102	6114	7103	7229	7764
		Unit + option 15LS + option 116W + option 307 ⁽³⁾	kg	-	-	-	-	-	-	-

* In accordance with EN14511-3:2018.

** In accordance with EN14825:2018, average climate conditions

HA1 Heating mode conditions: Water type heat exchanger water inlet/outlet temperature 30 °C/35 °C, outside air temperature tdb/twb = 7 °C db/6 °C wb, evaporator fouling factor 0 m². kW/W

HA2 Heating mode conditions: Water type heat exchanger water inlet/outlet temperature 40 °C/45 °C, outside air temperature tdb/twb = 7 °C db/6 °C wb, evaporator fouling factor 0 m². kW/W

CA1 Cooling mode conditions: evaporator water inlet/outlet temperature 12 °C/7 °C, outdoor air temperature 35 °C, evaporator fouling factor 0 m². kW/W

η_s heat_{30/35°C} & SCOP_{30/35°C} Values in bold comply with Ecodesign Regulation (EU) No. 813/2013 for Heating applications

SEER_{12/7°C} & SEPR_{12/7°C} Applicable Ecodesign regulation (EU) No. 2016/2281.

(1) In dB ref=10⁻¹² W, (A) weighting. Declared dual-number noise emission value in accordance with ISO 4871 with an uncertainty of +/-3 dB(A). Measured in accordance with ISO 9614-1 and certified by Eurovent. Cooling mode.

(2) In dB ref 20 μPa, (A) weighting. Declared dual-number noise emission value in accordance with ISO 4871 with an uncertainty of +/-3 dB(A). For information, calculated from the sound power Lw(A).

(3) Options: 15LS = Very low noise level, 116W = Variable-speed high pressure dual-pump hydraulic module, 307 = Water buffer tank module,

(4) Values are guidelines only. Refer to the unit name plate.



Eurovent certified values

PHYSICAL DATA, SIZES 620R TO 1040R

30RQP		620R	660R	740R	800R	860R	940R	1040R
Compressors		Hermetic Scroll 48.3 r/s						
Circuit A/C		2/2	2/2	2/2	2/2	3/3	3/3	4/4
Circuit B/D		3/3	3/3	4/4	4/4	4/4	4/4	4/4
Number of power stages		10	10	12	12	14	14	16
Unit PED category		III	IV	IV	IV	IV	IV	IV
Refrigerant⁽⁴⁾		R32 / A2L /GWP= 675 as per AR4						
Circuit A/C	kg	16,0 / 16,0	18,0 / 18,0	18,0 / 18,0	18,0 / 18,0	29,0 / 29,0	29,0 / 29,0	35,0 / 35,0
	tCO ₂ e	10,8 / 10,8	12,2 / 12,2	12,2 / 12,2	12,2 / 12,2	19,6 / 19,6	19,6 / 19,6	23,6 / 23,6
Circuit B/D	kg	28,5 / 28,5	28,5 / 28,5	34,0 / 34,0	34,0 / 34,0	34,5 / 34,5	35,0 / 35,0	35,0 / 35,0
	tCO ₂ e	19,2 / 19,2	19,2 / 19,2	23,0 / 23,0	23,0 / 23,0	23,3 / 23,3	23,6 / 23,6	23,6 / 23,6
Oil								
Circuit A/C	l	13,2 / 13,2	13,2 / 13,2	13,2 / 13,2	13,2 / 13,2	22,8 / 22,8	22,8 / 22,8	30,4 / 30,4
Circuit B/D	l	22,8 / 22,8	22,8 / 22,8	30,4 / 30,4	30,4 / 30,4	30,4 / 30,4	30,4 / 30,4	30,4 / 30,4
Capacity control		SmartVu™						
Minimum capacity	%	10	10	8	8	7	7	6
Condenser		Grooved copper tubes and aluminium fins						
Fans		Axial Flying Bird 6 with rotating impeller						
Standard unit								
Quantity		10	10	12	12	14	14	16
Maximum total air flow	l/s	48200	48200	57840	57840	67480	67480	77120
Maximum rotation speed	r/s	16	16	16	16	16	16	16
Evaporator		Direct expansion brazed-plate heat exchanger						
Water volume	l	77,4	97,2	97,2	97,2	97,2	104,4	117
Max. water-side operating pressure without hydraulic module	kPa	1000	1000	1000	1000	1000	1000	1000
Hydraulic module (option)		Pump, Victaulic screen filter, relief valve, water and air vent valve, pressure sensors						
Pump		Centrifugal pump, monocoil, 48.3 r/s, low or high pressure (as required), single or dual (as required)						
Expansion tank volume (option)	l	-	-	-	-	-	-	-
Buffer tank volume (option)	l	-	-	-	-	-	-	-
Max. water-side operating pressure with hydraulic module	kPa	400	400	400	400	400	400	400
Water connections with or without hydraulic module		Victaulic® type						
Connections Module 1 / Module 2 ^(a)	inches	4 / 4	4 / 4	4 / 4	4 / 4	4 / 4	4 / 4	4 / 4
External diameter Module 1 / Module 2 ^(a)	mm	114,3 / 114,3	114,3 / 114,3	114,3 / 114,3	114,3 / 114,3	114,3 / 114,3	114,3 / 114,3	114,3 / 114,3
Casing paintwork		Colour code RAL 7035						

(4) Values are guidelines only. Refer to the unit name plate.

(a) Modules 1 and 2 only relate to sizes 620R to 1040R.

ELECTRICAL DATA NOTES

30RB		170R	190R	210R	230R	270R	310R	340R	380R	410R
Power circuit supply										
Nominal voltage	V-ph-Hz	400 - 3 - 50								
Voltage range	V	360 - 440								
Control circuit supply		24 V via internal transformer								
Maximum operating input power^{(1) or (2)}										
Circuit A&B	kW	74,6	81,2	90,8	99,4	118,6	133,9	148,3	163,5	178,4
Power factor at maximum power^{(1) or (2)}										
Standard unit power factor		0,83	0,83	0,83	0,83	0,83	0,83	0,83	0,83	0,85
Maximum operating current draw (Un)^{(1) or (2)}										
Standard unit	A	129,0	141,2	157,8	172,0	205,2	231,6	256,5	282,9	302,4
Maximum current (Un-10%)^{(1) or (2)}										
Standard unit	A	137,7	150,6	168,6	183,6	219,6	247,5	274,5	302,4	324
Maximum start-up current (Un)^{(2) + (3)}										
Standard unit	A	305	354	370	348	418	444	469	496	515
Unit + option 25/25E	A	262	302	318	305	366	392	417	444	463

30RB		450R	480R	550R	610R	670R	720R	770R	800R	870R	950R
Power circuit supply											
Nominal voltage	V-ph-Hz	400 - 3 - 50									
Voltage range	V	360 - 440									
Control circuit supply		24 V via internal transformer									
Maximum operating input power^{(1) or (2)}											
Circuit A&B	kW	193,7	208,1	237,8	256,4	282,7	306,1	328,5	340,2	374,4	405,6
Power factor at maximum power^{(1) or (2)}											
Standard unit power factor		0,85	0,85	0,85	0,84	0,84	0,84	0,84	0,84	0,84	0,84
Maximum operating current draw (Un)^{(1) or (2)}											
Standard unit	A	327,9	352,8	403,2	439,5	486,0	525,0	565,0	584,5	644,0	696,0
Maximum current (Un-10%)^{(1) or (2)}											
Standard unit	A	351	378	432	472	522	564	607	628	692	748
Maximum start-up current (Un)^{(2) + (3)}											
Standard unit	A	541	565	616	770	823	856	902	915	981	1027
Unit + option 25/25E	A	489	513	564	687	740	773	819	832	898	944

(1) Values at the unit's permanent maximum operating condition (as shown on the unit's nameplate).

(2) Values at the unit's maximum operating condition (as shown on the unit's nameplate).

(3) Maximum operating current of the smallest compressor(s) + fan current + locked rotor current of the largest compressor.

ELECTRICAL DATA NOTES

30RBP		170R	190R	210R	230R	270R	310R	340R	380R	410R
Power circuit supply										
Nominal voltage	V-ph-Hz	400 - 3 - 50								
Voltage range	V	360 - 440								
Control circuit supply		24 V via internal transformer								
Maximum operating input power^{(1) or (2)}										
Circuit A&B	kW	74,8	81,5	91,1	99,8	118,9	134,3	148,7	164	178,4
Power factor at maximum power^{(1) or (2)}										
Standard unit power factor		0,85	0,85	0,85	0,85	0,85	0,85	0,85	0,85	0,85
Maximum operating current draw (Un)^{(1) or (2)}										
Standard unit	A	126,3	137,6	154,2	168,4	201,6	227,1	252,0	277,5	302,4
Maximum current (Un-10%)^{(1) or (2)}										
Standard unit	A	135	147	165	180	216	243	270	297	324
Maximum start-up current (Un)^{(2) + (3)}										
Standard unit	A	302	350	367	344	414	440	465	490	515
Unit + option 25/25E	A	259	298	315	301	362	388	413	438	463

30RBP		450R	480R	550R	610R	670R	720R	770R	800R	870R	950R
Power circuit supply											
Nominal voltage	V-ph-Hz	400 - 3 - 50									
Voltage range	V	360 - 440									
Control circuit supply		24 V via internal transformer									
Maximum operating input power^{(1) or (2)}											
Circuit A&B	kW	193,7	208,1	237,8	256,4	282,7	306,1	328,5	340,2	374,4	405,6
Power factor at maximum power^{(1) or (2)}											
Standard unit power factor		0,85	0,85	0,85	0,84	0,84	0,84	0,84	0,84	0,84	0,84
Maximum operating current draw (Un)^{(1) or (2)}											
Standard unit	A	327,9	352,8	403,2	439,5	486,0	525,0	565,0	584,5	644,0	696,0
Maximum current (Un-10%)^{(1) or (2)}											
Standard unit	A	351	378	432	472	522	564	607	628	692	748
Maximum start-up current (Un)^{(2) + (3)}											
Standard unit	A	541	565	616	770	823	856	902	915	981	1027
Unit + option 25/25E	A	489	513	564	687	740	773	819	832	898	944

- (1) Values at the unit's permanent maximum operating condition (as shown on the unit's nameplate).
(2) Values at the unit's maximum operating condition (as shown on the unit's nameplate).
(3) Maximum operating current of the smallest compressor(s) + fan current + locked rotor current of the largest compressor.

ELECTRICAL DATA NOTES

30RQ		165R	180R	210R	230R	270R	310R	330R	370R	400R	430R	470R	520R
Power circuit supply													
Nominal voltage	V-ph-Hz	400 - 3 - 50											
Voltage range	V	360 - 440											
Control circuit supply													
24 V via internal transformer													
Maximum operating input power^{(1) or (2)}													
Circuit A&B	kW	74,6	84,2	99,4	109,0	118,6	138,7	148,3	168,3	177,9	193,2	207,6	237,2
Power factor at maximum power^{(1) or (2)}													
Standard unit power factor		0,83	0,83	0,83	0,83	0,83	0,83	0,83	0,83	0,83	0,83	0,83	0,83
Maximum operating current draw (Un)^{(1) or (2)}													
Standard unit	A	129	145,6	172	188,6	205,2	239,9	256,5	291,2	307,8	334,2	359,1	410,4
Maximum current (Un-10%)^{(1) or (2)}													
Standard unit	A	140,7	156,7	187,6	203,6	219,6	258,5	274,5	313,4	329,4	360,3	384,3	439,2
Maximum start-up current (Un)^{(2) + (3)}													
Standard unit	A	305	362	348	401	418	453	469	504	520	547	572	623
Unit + option 25/25E	A	262	310	305	349	366	401	417	452	468	495	520	571

30RQP		165R	180R	210R	230R	270R	310R	330R	370R	400R
Power circuit supply										
Nominal voltage	V-ph-Hz	400 - 3 - 50								
Voltage range	V	360 - 440								
Control circuit supply										
24 V via internal transformer										
Maximum operating input power^{(1) or (2)}										
Circuit A&B (Module 1 / Module 2) ^(a)	kW	74,8	84,4	99,8	109,3	118,9	139,2	148,7	169	178,6
Power factor at maximum power^{(1) or (2)}										
Standard unit power factor		0,85	0,85	0,85	0,85	0,85	0,85	0,85	0,85	0,85
Maximum operating current draw (Un)^{(1) or (2)}										
Standard unit (Module 1 / Module 2) ^(a)	A	126,3	142,9	168,4	185	201,6	235,4	252	285,8	302,4
Maximum current (Un-10%)^{(1) or (2)}										
Standard unit (Module 1 / Module 2) ^(a)	A	138	154	184	200	216	254	270	308	324
Maximum start-up current (Un)^{(2) + (3)}										
Standard unit (Module 1 / Module 2) ^(a)	A	302	359	344	398	414	448	465	498	515
Unit + option 25/25E (Module 1 / Module 2) ^(a)	A	259	307	301	346	362	396	413	446	463

30RQP		430R	470R	520R	620R	660R	740R	800R	860R	940R	1040R
Power circuit supply											
Nominal voltage	V-ph-Hz	400 - 3 - 50									
Voltage range	V	360 - 440									
Control circuit supply											
24 V via internal transformer											
Maximum operating input power^{(1) or (2)}											
Circuit A&B (Module 1 / Module 2) ^(a)	kW	193,9	208,3	237,8	139,2 / 139,2	148,7 / 148,7	169,0 / 169,0	178,6 / 178,6	193,7 / 193,7	208,1 / 208,1	237,8 / 237,8
Power factor at maximum power^{(1) or (2)}											
Standard unit power factor		0,85	0,85	0,85	0,85	0,85	0,85	0,85	0,85	0,85	0,85
Maximum operating current draw (Un)^{(1) or (2)}											
Standard unit (Module 1 / Module 2) ^(a)	A	327,9	352,8	403,2	235,4 / 235,4	252 / 252	285,8 / 285,8	302,4 / 302,4	327,9 / 327,9	352,8 / 352,8	403,2 / 403,2
Maximum current (Un-10%)^{(1) or (2)}											
Standard unit (Module 1 / Module 2) ^(a)	A	354	378	432	254 / 254	270 / 270	308 / 308	324 / 324	354 / 354	378 / 378	432 / 432
Maximum start-up current (Un)^{(2) + (3)}											
Standard unit (Module 1 / Module 2) ^(a)	A	541	565	616	448 / 448	465 / 465	498 / 498	515 / 515	541 / 541	565 / 565	616 / 616
Unit + option 25/25E (Module 1 / Module 2) ^(a)	A	489	513	564	396 / 396	413 / 413	446 / 446	463 / 463	489 / 489	513 / 513	564 / 564

(1) Values at the unit's permanent maximum operating condition (as shown on the unit's nameplate).

(2) Values at the unit's maximum operating condition (as shown on the unit's nameplate).

(3) Maximum operating current of the smallest compressor(s) + fan current + locked rotor current of the largest compressor.

(a) Modules 1 and 2 only relate to sizes 620R to 1040R.

ELECTRICAL DATA NOTES

Short-circuit withstand current (TN system)⁽¹⁾

30RB-RBP	170R	190R	210R	230R	270R	310R	340R	380R	410R	450R
Rated short-circuit withstand currents										
Rated short time (1s) current - I _{cw} kA eff	5,5	8,5	8,5	8,5	8,5	20	20	20	20	20
Rated peak current - I _{pk} kA pk	154	330	330	330	330	330	330	330	330	330
Value with upstream electrical protection⁽¹⁾										
Rated conditional short circuit current I _{cc} kA eff	50	50	50	50	50	50	50	50	50	50
Associated protection	NSX160N / =S=	NSX250N / =S=	NSX250N / =S=	NSX250N / =S=	NSX250N / =S=	NSX250N / =S=	NSX400N / =S=	NSX400N / =S=	NSX400N / =S=	NSX400N / =S=
Associated protection	TM160D / LV430840	TM200D / LV431831	TM200D / LV431831	TM250D / LV431831	TM250D / LV431831	TM250D / LV431831	Micrologic 2.3 400 A / LV432693	Micrologic 2.3 400 A / LV432693	Micrologic 2.3 400 A / LV432693	Micrologic 2.3 400 A / LV432693

30RB-RBP	480R	550R	610R	670R	720R	770R	820R	870R	950R
Rated short-circuit withstand currents									
Rated short time (1s) current - I _{cw} kA eff	20	20	20	20	20	35	35	35	35
Rated peak current - I _{pk} kA pk	330	330	330	330	330	330	330	330	330
Value with upstream electrical protection⁽¹⁾									
Rated conditional short circuit current I _{cc} kA eff	50	50	50	50	50	50	50	50	50
Associated protection	NSX630N / =S=	NSX630N / =S=	NSX630N / =S=	NSX630N / =S=	NSX630N / =S=	NS800 / =S=	NS800 / =S=	NS800 / =S=	NS800 / =S=
Associated protection	Micrologic 2.3 630 A / LV432893	Micrologic 2.3 630 A / LV432893	Micrologic 2.3 630 A / LV432893	Micrologic 2.3 630 A / LV432893	Micrologic 2.3 630 A / LV432893	Micrologic 5.0 800 A / 34426	Micrologic 5.0 800 A / 34426	Micrologic 5.0 800 A / 34426	Micrologic 5.0 800 A / 34426

(1) If another current limitation protection device is used, its time-current and thermal constraint (I²t) trip characteristics must be at least equivalent to those of the recommended protection.

Note: The short-circuit withstand current capability values above have been established for the TN system.

ELECTRICAL DATA NOTES

30RQ-RQP	165R	180R	210R	230R	270R	310R	330R	370R	400R	430R
Rated short-circuit withstand currents										
Rated short time (1s) current - I _{cw} (Module 1 / Module 2) ^(a)	kA eff	5,5	8,5	8,5	8,5	8,5	20	20	20	20
Rated peak current - I _{pk} (Module 1 / Module 2) ^(a)	kA pk	154	330	330	330	330	330	330	330	330
Value with upstream electrical protection⁽¹⁾										
Rated conditional short circuit current I _{cc} (Module 1 / Module 2) ^(a)	kA eff	50	50	50	50	50	50	50	50	50
Associated protection - type (Module 1/Module 2) ^(a)		INS250	INS250	INS250	INS250	INS250	INS400	INS400	INS400	INS400
Associated protection (rating/reference)	Module 1 ^(a)	TM160D / LV430840	TM200D / LV431831	TM250D / LV431831	TM250D / LV431831	TM250D / LV431831	Micrologic 2.3 400 A / LV432693	Micrologic 2.3 400 A / LV432693	Micrologic 2.3 400 A / LV432693	Micrologic 2.3 400 A / LV432693
	Module 2 ^(a)	-	-	-	-	-	-	-	-	-

30RQ-RQP	470R	520R	620R	660R	740R	800R	860R	940R	1040R
Rated short-circuit withstand currents									
Rated short time (1s) current - I _{cw} (Module 1 / Module 2) ^(a)	kA eff	20	20	20 / 20	20 / 20	20 / 20	20 / 20	20 / 20	20 / 20
Rated peak current - I _{pk} (Module 1 / Module 2) ^(a)	kA pk	330	330	330 / 330	330 / 330	330 / 330	330 / 330	330 / 330	330 / 330
Value with upstream electrical protection⁽¹⁾									
Rated conditional short circuit current I _{cc} (Module 1 / Module 2) ^(a)	kA eff	50	50	50 / 50	50 / 50	50 / 50	50 / 50	50 / 50	50 / 50
Associated protection - type (Module 1/Module 2) ^(a)		INS500	INS500	INS400 / INS400	INS400 / INS400	INS400 / INS400	INS400 / INS400	INS400 / INS400	INS500 / INS500
Associated protection (rating/reference)	Module 1 ^(a)	Micrologic 2.3 630 A / LV432893	Micrologic 2.3 630 A / LV432893	Micrologic 2.3 400 A / LV432693	Micrologic 2.3 400 A / LV432693	Micrologic 2.3 400 A / LV432693	Micrologic 2.3 400 A / LV432693	Micrologic 2.3 400 A / LV432693	Micrologic 2.3 630 A / LV432893
	Module 2 ^(a)	-	-	Micrologic 2.3 400 A / LV432693	Micrologic 2.3 400 A / LV432693	Micrologic 2.3 400 A / LV432693	Micrologic 2.3 400 A / LV432693	Micrologic 2.3 400 A / LV432693	Micrologic 2.3 630 A / LV432893

(1) If another current limitation protection device is used, its time-current and thermal constraint (I²t) trip characteristics must be at least equivalent to those of the recommended protection.

(a) Modules 1 and 2 only relate to sizes 620R to 1040R.

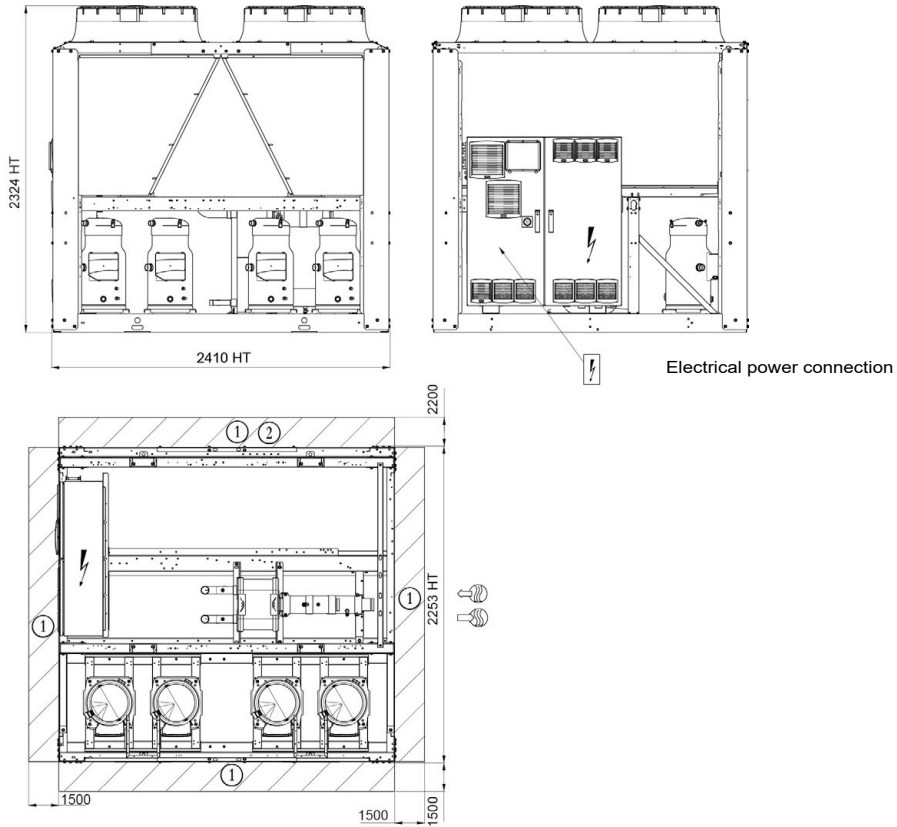
Note: The short-circuit withstand current capability values above have been established for the TN system.



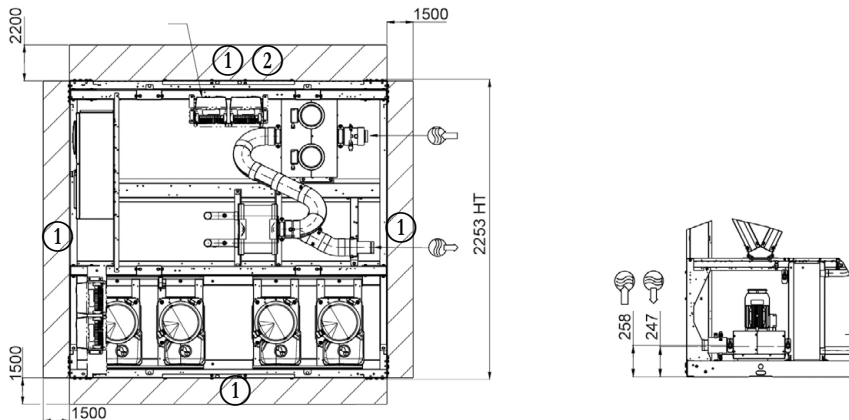
DIMENSIONS/CLEARANCES

30RB/30RBP 170R-270R, 30RQ/30RQP 165R-270R (with and without hydraulic module)

Without hydraulic module



With hydraulic module



Key:

All dimensions are given in mm.

- ① Clearances required for maintenance and air flow
- ② Clearance recommended for removal of the coils

Water inlet

Water outlet

Air outlet, do not obstruct

Electrical cabinet

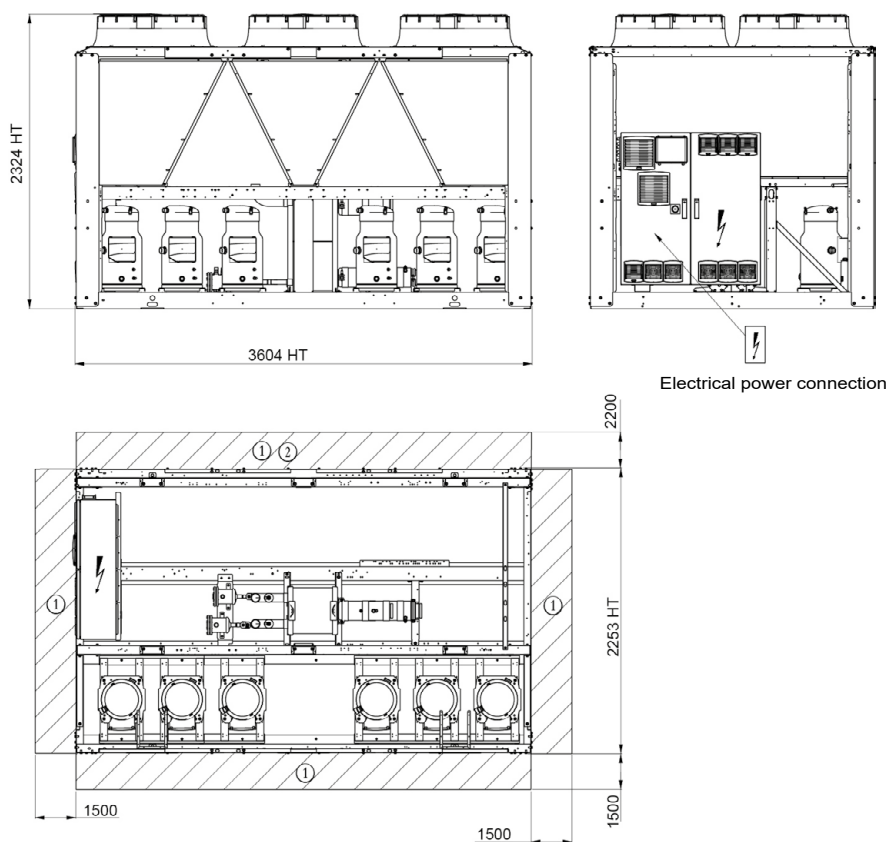
Note: Drawings are not contractually binding. Before designing an installation, consult the certified dimensional drawings, available on request. Refer to the certified dimensional drawings for the location of fixing points, weight distribution and coordinates of the centre of gravity.



DIMENSIONS/CLEARANCES

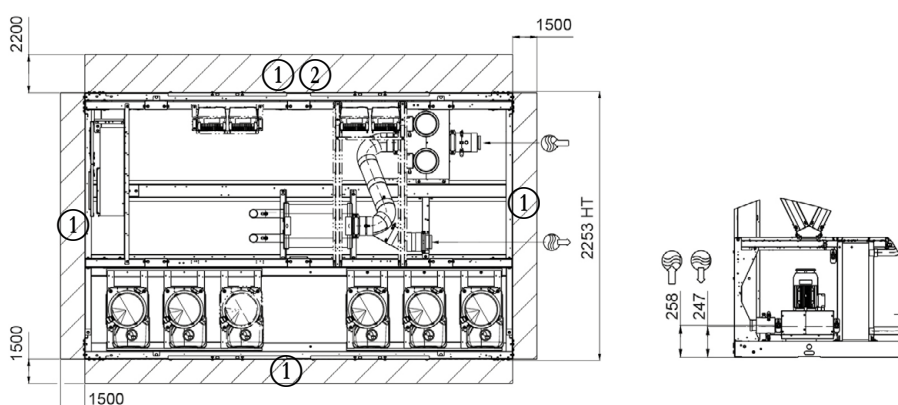
30RB/30RBP 310R-410R, 30RQ/30RQP 310R-400R (with and without hydraulic module)

Without hydraulic module



Electrical power connection

With hydraulic module



Key:

All dimensions are given in mm.

① Clearances required for maintenance and air flow

② Clearance recommended for removal of the coils

Water inlet

Water outlet

Air outlet, do not obstruct

Electrical cabinet

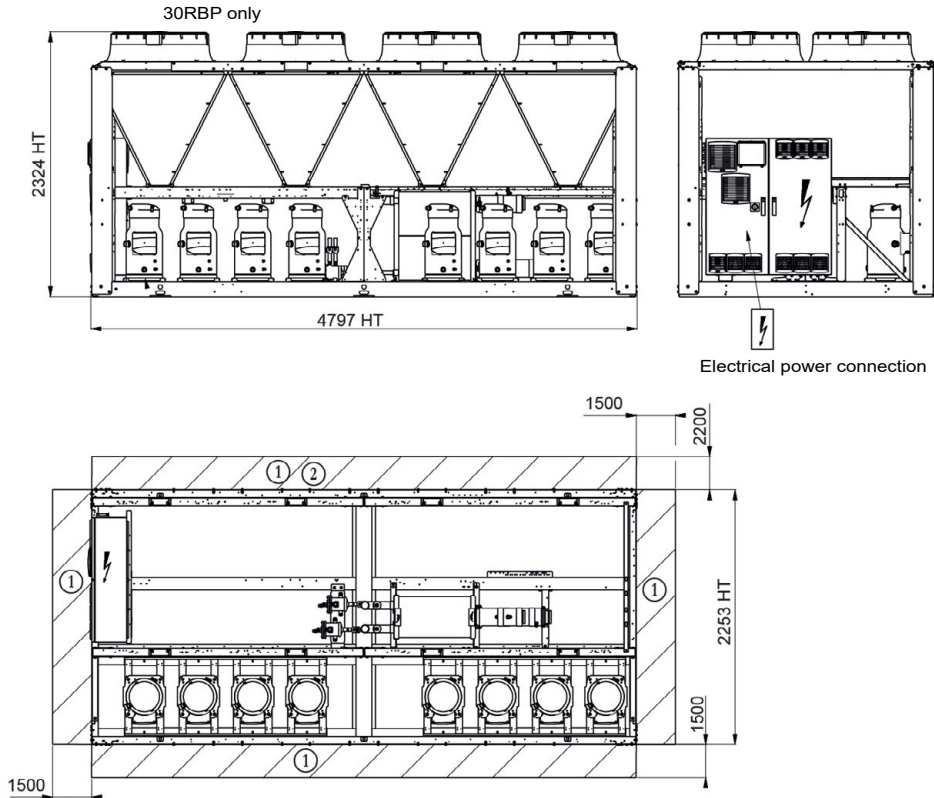
Note: Drawings are not contractually binding. Before designing an installation, consult the certified dimensional drawings, available on request. Refer to the certified dimensional drawings for the location of fixing points, weight distribution and coordinates of the centre of gravity.



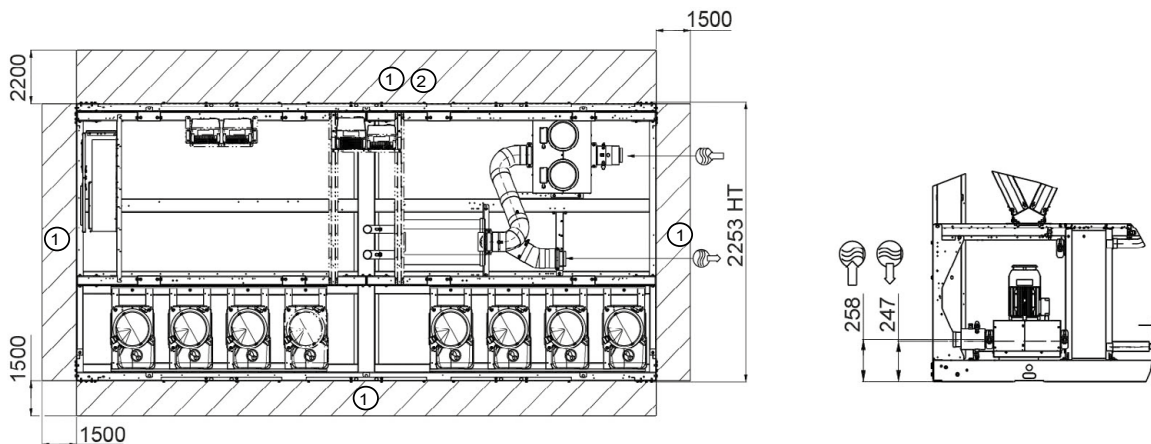
DIMENSIONS/CLEARANCES

30RB/30RBP 450R-550R, 30RQ/30RQP 430R-520R (with and without hydraulic module)

Without hydraulic module



With hydraulic module



Key:

All dimensions are given in mm.

- ① Clearances required for maintenance and air flow
- ② Clearance recommended for removal of the coils

Water inlet

Water outlet

Air outlet, do not obstruct

Electrical cabinet

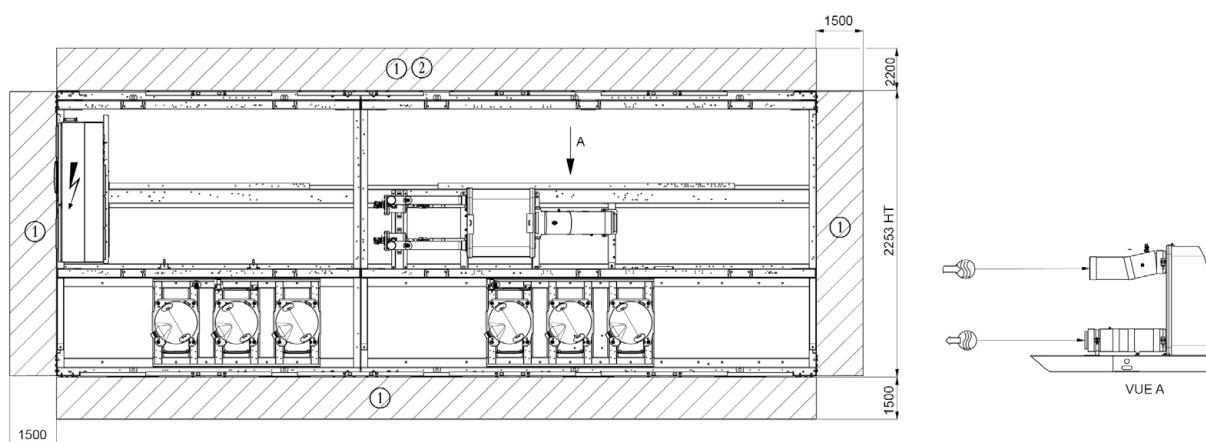
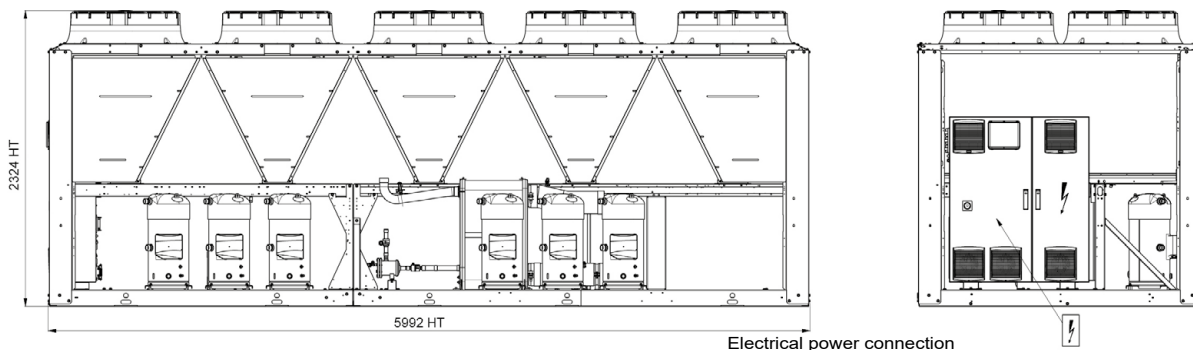
Note: Drawings are not contractually binding. Before designing an installation, consult the certified dimensional drawings, available on request. Refer to the certified dimensional drawings for the location of fixing points, weight distribution and coordinates of the centre of gravity.



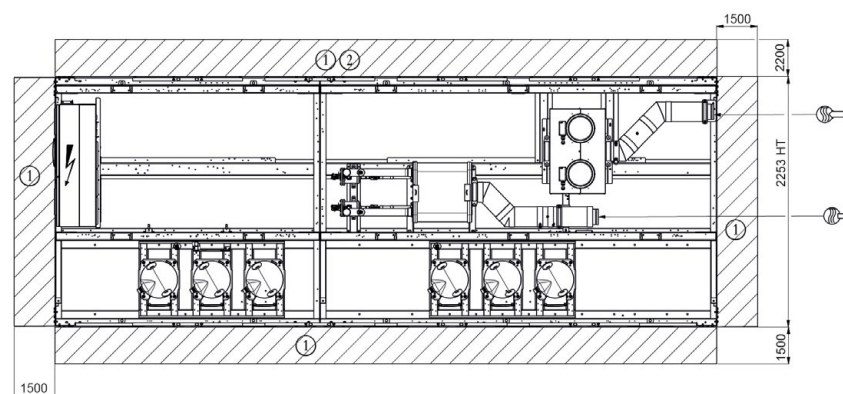
DIMENSIONS/CLEARANCES

30RB/30RBP 610R-720R (with and without hydraulic module)

Without hydraulic module



With hydraulic module



Key:

All dimensions are given in mm.

① Clearances required for maintenance and air flow

② Clearance recommended for removal of the coils

Water inlet

Water outlet

Air outlet, do not obstruct

Electrical cabinet

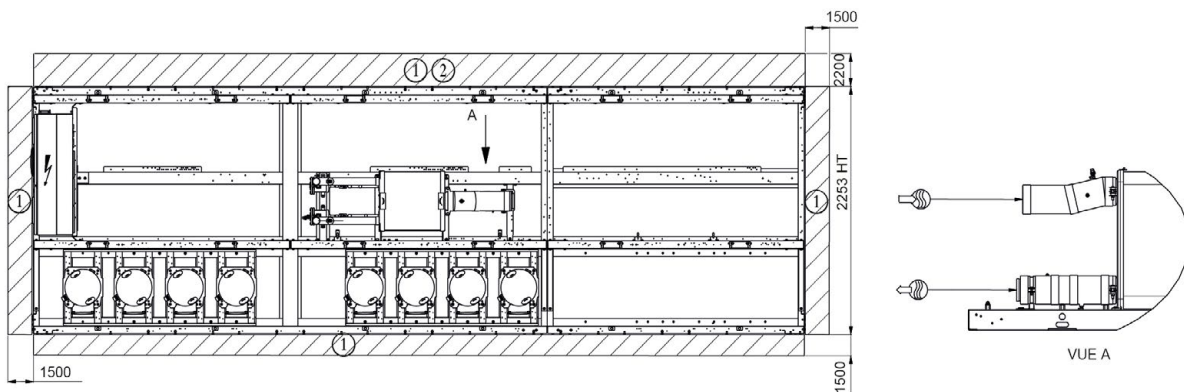
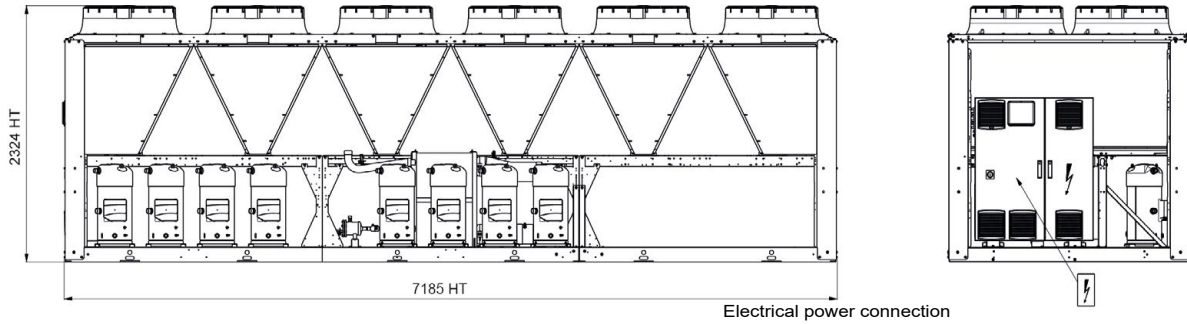
Note: Drawings are not contractually binding. Before designing an installation, consult the certified dimensional drawings, available on request. Refer to the certified dimensional drawings for the location of fixing points, weight distribution and coordinates of the centre of gravity.



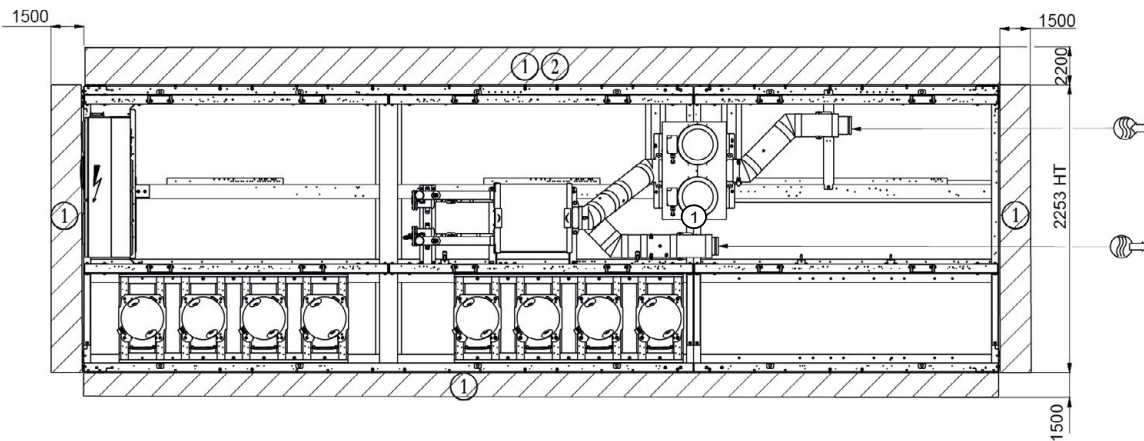
DIMENSIONS/CLEARANCES

30RB/30RBP 770R-950R (with and without hydraulic module)

Without hydraulic module




With hydraulic module




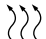
Key:

All dimensions are given in mm.

- ① Clearances required for maintenance and air flow
- ② Clearance recommended for removal of the coils

 Water inlet

 Water outlet

 Air outlet, do not obstruct

 Electrical cabinet

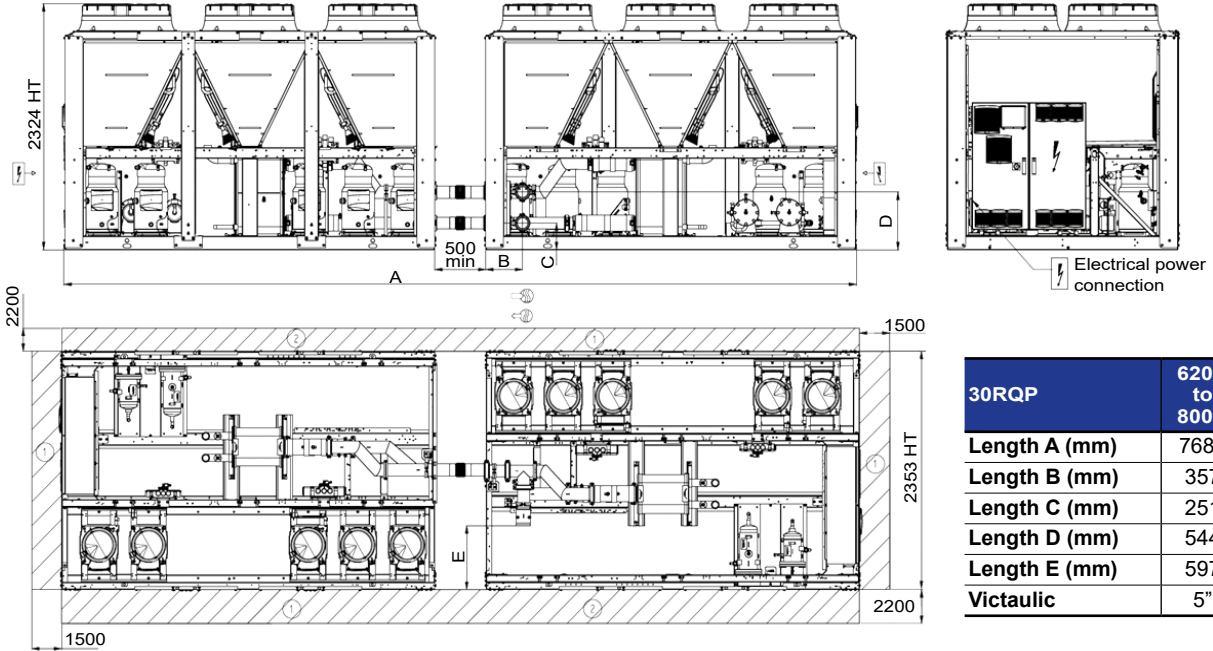
Note: Drawings are not contractually binding. Before designing an installation, consult the certified dimensional drawings, available on request. Refer to the certified dimensional drawings for the location of fixing points, weight distribution and coordinates of the centre of gravity.

DIMENSIONS/CLEARANCES

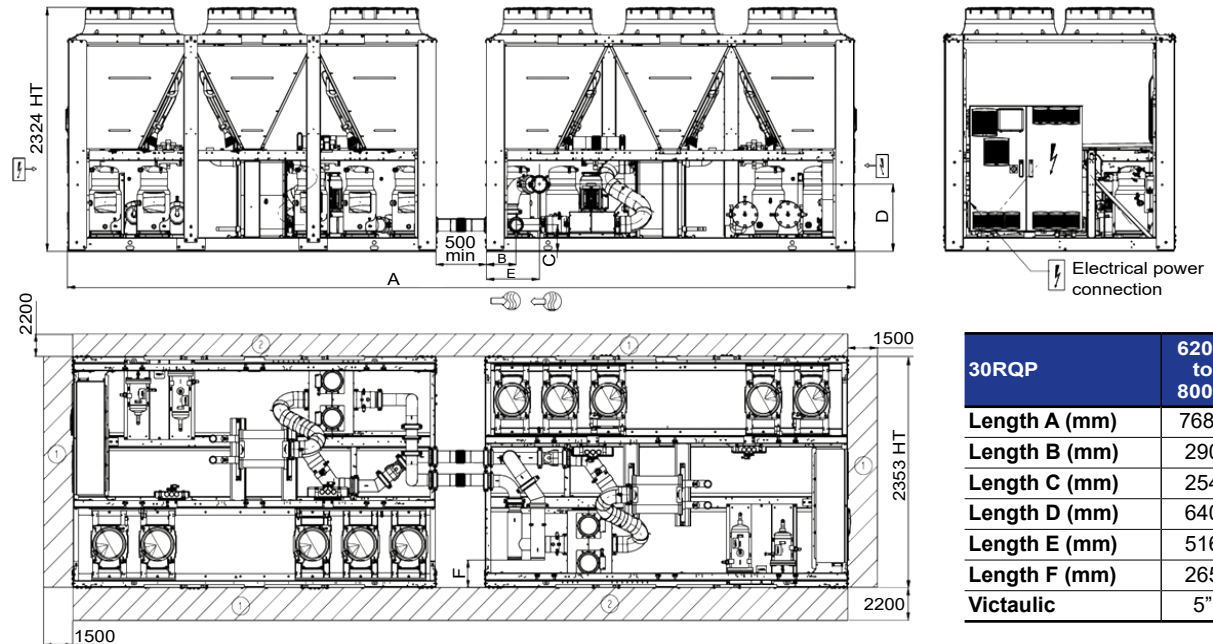


30RQP 620R-1040R (with and without hydraulic module)

Without hydraulic module



With hydraulic module



Key:

All dimensions are given in mm.

- ① Clearances required for maintenance and air flow
- ② Clearance recommended for removal of the coils
- Water inlet
- Water outlet
- Air outlet, do not obstruct
- Electrical cabinet

Note: Drawings are not contractually binding. Before designing an installation, consult the certified dimensional drawings, available on request. Refer to the certified dimensional drawings for the location of fixing points, weight distribution and coordinates of the centre of gravity.