



HIGH WALL FAN COIL



- Easy installation
- Modern & design
- Low energy consumption
- Low noise level

42WM

Cooling capacity 1.2-3.8 kW
Heating capacity 1.3-4.3 kW

The 42WM is an hydronic high wall fan coil available in 2 models and 4 sizes

The modern and appealing design of the unit in RAL 9003 colour allows the use in any environment.

All the models perform very low electric consumption and extremely quite sound levels according to the request of today's new projects.

PRESENTATION

COOLING

HEATING

AIR TREATMENT

CONTROLS



CARRIER participates in the ECP programme for LCP/HP
Check ongoing validity of certificate:
www.eurovent-certification.com



GAMME

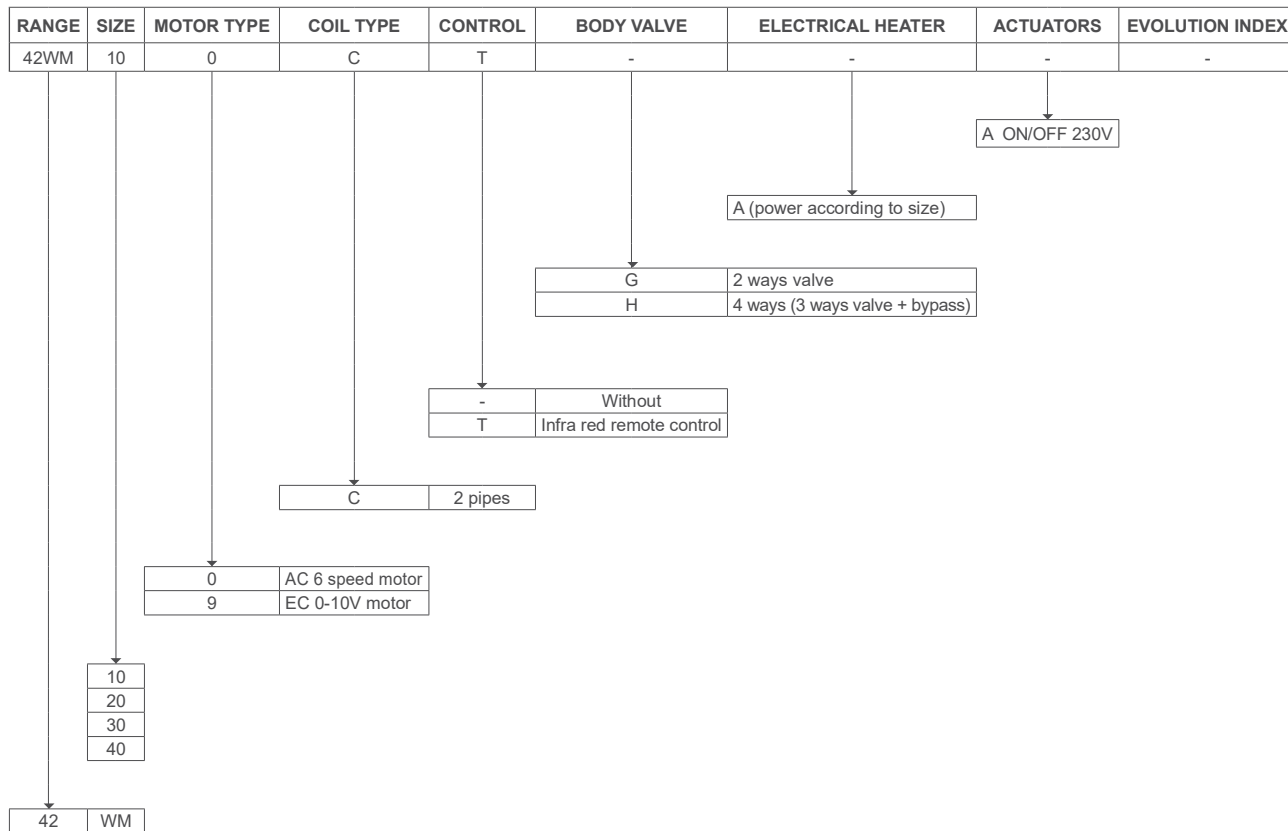
The 42WM range includes 2 models and 4 sizes .

It covers a range of cooling capacity from 1.2 kW to 3.8 kW at Eurovent conditions

The 42WM is available in :

- 2 pipe system heating or cooling
- 2 pipes and electrical heater cooling and/or heating + electrical heater

CODIFICATION



TECHNICAL DESCRIPTION

Casing

Made of auto-extinguishing ABS UL94 HB plastic with high specifications and great resistance to aging. The diffusion flap is adjusted manually in the basic version, with remote control in T version.

Air Filter

Washable-regenerable synthetic filter, readily accessible.

Fan Assembly

Made of plastic tangential fan.

Electric motor

AC version

The motor is for single phase power supply and has six speeds, three of which are connected, with capacitor. The motor is fitted on sealed for life bearings and is secured on anti-vibration and self-lubricating mountings. Internal thermal protection with automatic reset, protection IP 20, class B. The speeds connected in the factory are indicated by "MIN, MED and MAX" in the following tables.

EC version

Electronic motor with permanent magnet brushless electronic motor that is controlled with reconstructed current according to a BLAC sinusoidal wave.

The inverter board that controls the motor operation is powered by 230 Volt, single-phase and, with a switching system, it generates a three-phases frequency modulated, wave form power supply.

The electric power supply required for the machine is therefore single-phase with voltage of 230-240V and frequency of 50- 60Hz.

Heat exchange coil

It is manufactured from drawn copper tube and the aluminium fins are mechanically bonded onto the tube by an expansion process. The coil has two 1/2 inch BSP internal connections and 1/8 inch BSP air vent and drain.

The heat exchanger is not suitable for use in corrosive atmosphere or in environments where aluminium may be subject to corrosion.

The connections are on the left side facing the unit only.

Electrical heater (option)

The heater is hermetically sealed and supplied inside the battery pipes and therefore can be only factory mounted.

The electric heaters are single phase 230V supply.

The electric heater is fitted with a overheat protection.

The unit is fitted with two safety thermostats:

- one thermostat with manual reset;
- one thermostat with automatic reset

Condensate Collection Tray

Made from polypropylene; the outside diameter of the condensate discharge pipe is 16mm.

Installation template

A cardboard installation template is supplied with every unit to help the mounting on the wall.

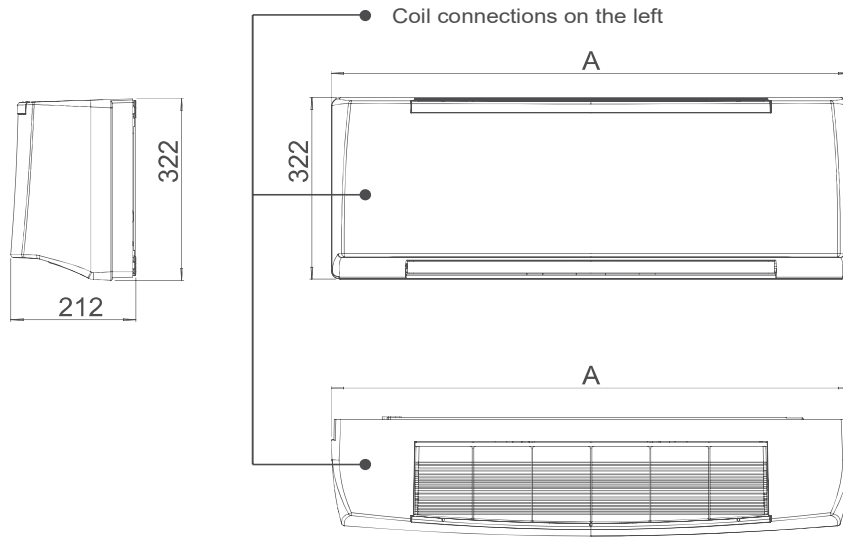
Options fitted in factory

- 2 ways valve
- 3 ways valve
- ON/OFF 230V actuator
- control with infra-red remote

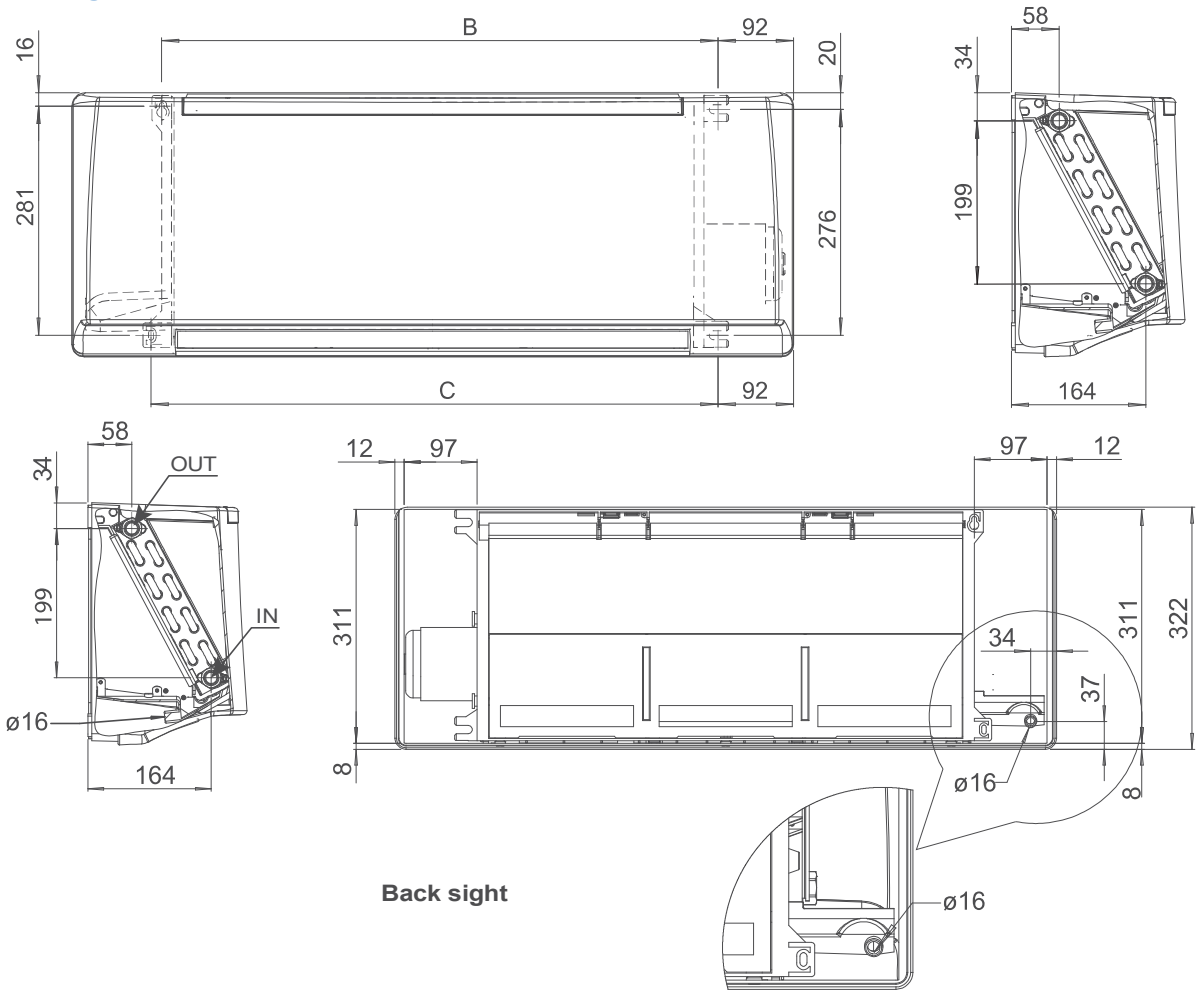
Accessories available in kit

- Condensate drain pump
- Kit 2 ways valve
- Kit 3 ways valve

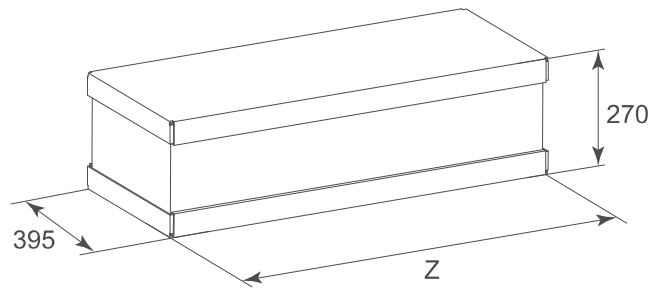
DIMENSION, WEIGHT



Mounting Dimension



DIMENSION, WEIGHT



Dimension (mm)

Model	10	20	30	40
A	880	880	1185	1185
B	678	678	983	983
C	691	691	996	996
Z	950	950	1255	1255

Weight (kg)

Model	Weight packed unit				Weight unpacked unit			
	10	20	30	40	10	20	30	40
without valve	12	12	16	16	10	10	13	13
with valve	13	13	17	17	11	11	14	14

TECHNICAL CHARACTERISTIC

Max. entering water temperature..... + 70 °C
 Min. entering water temperature..... + 6 °C
 for entering water temperatures below + 6°C, contact technical support
 Max. rated pressure.....1000 kPa (10 bars)
 Max. ambient temperature with electric coil in heating mode: 25°C.

Water content (l)

Model	10	20	30	40
Liters	0,85	0,85	1,28	1,28

Installation height (m)

Model	sizes 10 to 40
Minimum	2
Maximum	3

AC motor electrical data (max. absorption)

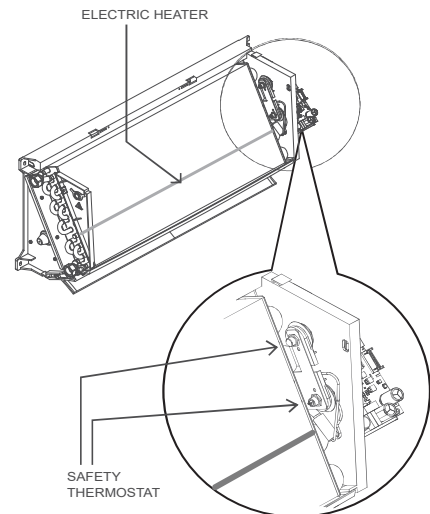
Model		42WM100	42WM200	42WM300	42WM400
230/1 50Hz	W	30	32	46	48
	A	0,16	0,16	0,23	0,23

EC Motor electrical data (max. absorption)

Model		42WM109	42WM209	42WM309	42WM409
230/1 50Hz	W	15	21	20	30
	A	0,14	0,19	0,18	0,26

Electrical heater

Model	42WM100/109	42WM200/209	42WM300/309	42WM400/409
Nominal installed power	1000 Watt	1000 Watt	1500 Watt	1500 Watt
Nominal power voltage	230V ~	230V ~	230V ~	230V ~
Number and section of connecting wires	3 x 1,5mm ²	3 x 1,5mm ²	3 x 1,5mm ²	3 x 1,5mm ²
Current input	4,5 A	4,5 A	7 A	7 A
Recommended fuse (Type gG) for overload protection	6 A	6 A	8 A	8 A



EUROVENT PERFORMANCES

2-pipe units

Size	Speed	Air flow m³/h	Heating capacity W	Pressure Drop kPa	Cooling Capacity		Pressure Drop kPa	Pabs W	Lw dB(A)	LP * dB(A)	EUROVENT FCEER	EUROVENT FCCOP
					Total W	Sensible W					Class	Class
42WM100	1	205	1 340	4,5	1 230	910	4,8	12	35	26	C	C
	2	270	1 680	6,8	1 490	1 130	6,8	14	41	32		
	3	340	2 020	9,4	1 750	1 330	9,2	17	46	37		
	4	375	2 180	10,8	1 850	1 440	10,1	18	48	39		
	5	470	2 585	14,7	2 150	1 680	13,2	24	52	43		
	6	500	2 705	15,9	2 230	1 745	14,1	30	53	44		
42WM200	1	250	1580	6,1	1 420	1 060	6,2	12	39	30	C	C
	2	305	1850		1 640	1 230	8,0	14	43	34		
	3	365	2130	10,4	1 820	1 410	9,8	18	47	38		
	4	400	2290		1 953	1 495	11,1	20	49	40		
	5	480	2620	15,1	2 160	1 730	13,3	24	53	44		
	6	545	2880		2 350	1 855	15,5	30	55	46		
42WM300	1	280	1890	9,1	1 870	1 330	11,2	16	35	26	C	C
	2	375	1130	13,8	2 300	1 670	16,2	21	40	31		
	3	480	2930	20,1	2 770	2 030	22,7	26	45	36		
	4	545	3230	24,1	3 000	2 240	26,2	29	48	39		
	5	730	4040	35,9	3 630	2 755	37,1	38	55	46		
	6	780	4240	39,2	3 770	2 880	39,8	46	57	48		
42WM400	1	300	2 000	10,1	1 980	1 409	12,4	17	36	27	C	C
	2	440	2730	22,2	2 600	1 910	23,0	23	43	34		
	3	500	3020	28,2	2 845	2 090	30,3	27	46	37		
	4	610	3530	35,2	3 230	2 440	34,0	32	51	42		
	5	675	3800	39,9	3 460	2 610	40,4	35	54	45		
	6	790	4280	49,8	3 760	2 930	45,1	48	57	48		

Size	Speed (Voltage)	Air flow m³/h	Heating capacity W	Pressure Drop kPa	Cooling Capacity		Pressure Drop kPa	Pabs W	Lw dB(A)	LP *\$ (A)	EUROVENT FCEER	EUROVENT FCCOP
					Total W	Sensible W					Class	Class
42WM109	1V	190	1 260	4,0	1 160	850	5,0	6	37	28	B	B
	3V	240	1 530	5,7	1 390	1 025	6,0		39	30		
	5V	290	1 780	7,5	1 570	1 190	7,7	9	46	37		
	7,5V	355	2 090	10,0	1 810	1 370	9,6		48	39		
	10V	415	2 350	12,4	1 990	1 560	11,2	15	52	43		
42WM209	1V	260	1 630	6,4	1 460	1 090	6,9	7	40	31	B	B
	3V	315	1 900	8,4	1 680	1 260	8,3		44	35		
	5V	375	2 180	10,8	1 860	1 450	10,1	12	47	38		
	7,5V	440	2 460	13,4	2 070	1 600	12,3		51	42		
	10V	510	2 740	16,3	2 240	1 810	13,7	21	55	46		
42WM309	1V	270	1 830	8,7	1 820	1 300	10,7	6	37	28	A	A
	3V	345	2 240	12,5	2 200	1 580	14,9		42	33		
	5V	420	2 630	16,6	2 520	1 850	19,0	11	45	36		
	7,5V	420	3 110	11,5	2 930	2 160	25,1		49	40		
	10V	620	3 570	28,8	3 270	2 480	30,4	20	53	44		
42WM409	1V	375	2 400	14,1	2 330	1 690	16,5	9	43	34	A	A
	3V	465	2 850	19,3	2 720	1 990	21,9		46	37		
	5V	550	3 260	24,4	3 030	2 270	26,6	16	49	40		
	7,5V	665	3 760	31,7	3 430	2 590	33,4		53	44		
	10V	770	4 200	38,6	3 720	2 890	38,7	30	57	48		

EUROVENT conditions

Cooling mode : Entering air temperature : 27°C/19°C_{BH}, entering/leaving water temperature : 7°C/12°C

Heating mode : Entering air temperature : 20°C, entering/leaving water temperature: 45°C/40°C

* Acoustic pressure level is based on an hypothetical sound attenuation of the room of 9 dB(A)



Eurovent certified values

ACCESSORIES

Condensate drain pump

		Code
Not fitted on the unit		9025309
Height for vertical flow (m)	Water flow (l/h) depending on the length of horizontal flow	
	5m	10 m
1	7,6	7,2
2	5,6	5,2
3	4,0	3,7
4	3,2	2,9



Wall or concealed installation kit

Model	ID	Code
10-20	KIF 10-20	9025191
30-40	KIF 30-40	9025193

Wall or concealed installation kit to be used as an installation template or in case the right connections are previously designed (the units are provided only with left connections).

The technical space within the frame allows to unit the right connections of the installation and the left connections of the unit. Two variants are available:

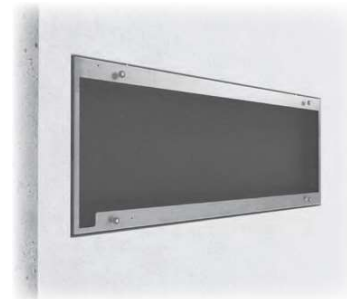
- Recessed box installation
- Wall installation with aesthetic frame.

In the first case the frame is recessed, whereas in the second case it fits the unit esthetically.

The aesthetic frame characteristics are:

- Galvanized steel painted RAL 9003
- Pre-drilled panels for cables and ductworks
- Internal insulation.

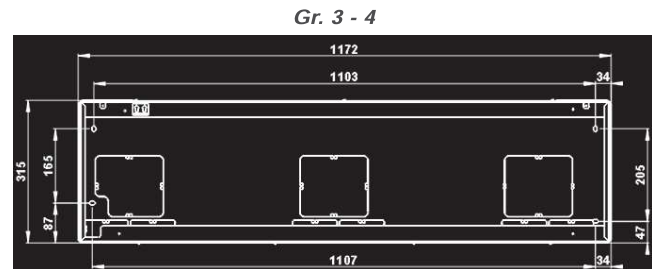
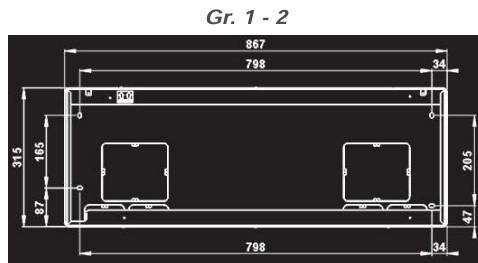
Recessed box installation



Wall installation



Dimensions



ACCESSORIES

3 way valve

Mod.	Valve			Code
	DN	(Ø)	Kvs	Not fitted
10-20	15	1/2"	1,6	9025321H
30-40	20	3/4"	2,5	9025323H

2 way valve

Mod.	Valve			Code
	DN	(Ø)	Kvs	Not fitted
10-20	15	1/2"	1,6	9025311H
30-40	20	3/4"	2,5	9025313H

